

CROWN

# TSP SERIES



A man in a dark blue t-shirt and jeans is operating a Crown TSP Series forklift in a warehouse aisle. The forklift is positioned between tall metal shelving units filled with cardboard boxes. The operator is seated on the lift, looking forward. The forklift has a yellow safety cage and the Crown logo is visible on the front. The aisle is narrow, and the boxes are stacked high on both sides.

# Set a New Pace.

When it comes to running your warehouse, every day is a race to move more product, optimize operator productivity and maximize truck performance. See how the Crown TSP Series can help you go faster, reach higher, save energy and give operators more control than ever before.

**The New Standard  
in Throughput.**

Visit [crown.com](https://www.crown.com)

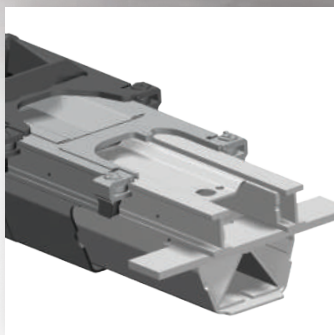
See the TSP Series





# Get More Done in Less Time.

This versatile narrow aisle truck maximizes cube utilization throughout the warehouse. Exceptional travel speed, capacity and lift height combine with an industry-leading, heavy-duty mast to deliver optimal performance and long-term reliability.



## Capacity.

A stronger mast, higher lift height and narrow footprint let you make the most of every square inch.

## Performance.

With the TSP Series, you can travel, lift and handle loads faster—and run longer—for maximum throughput.

## Control.

Unmatched comfort, control and safety enable operators to perform with confidence, all shift long.

## Uptime.

Durability, energy efficiency and ease of maintenance minimize downtime to keep the TSP Series running strong and maximize productivity.



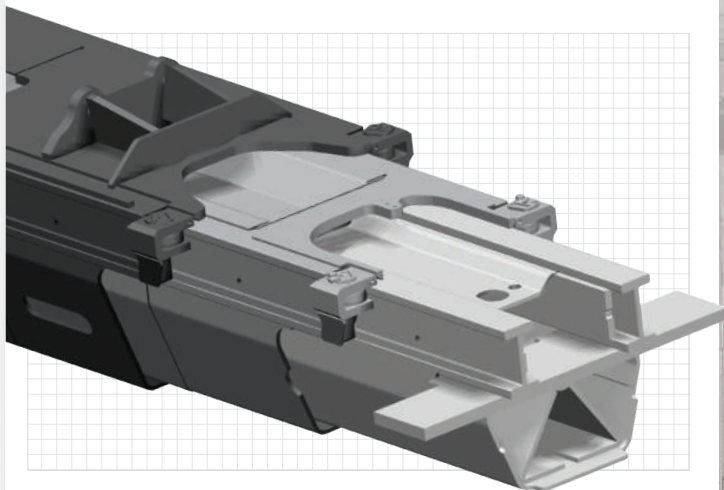
# Capacity to Utilize Every Square Inch.



To fully utilize your warehouse, you need a truck with the backbone to lift more. That's why Crown designed the MonoLift™ mast to go higher, provide rock-solid stability and handle the non-stop pressures of turret applications with ease.

## It Comes Down to the Mast

Crown's exclusive MonoLift mast makes it possible to move unprecedented capacities to impressive new heights. This results in slotting flexibility that maximizes every pallet location in your warehouse.



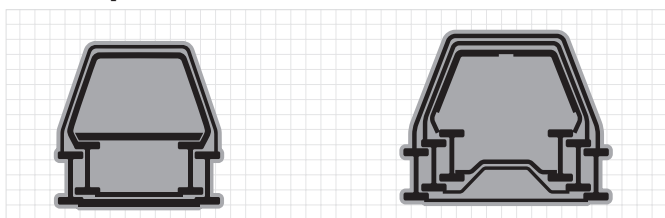
### Structural Integrity

Strengthened, boxed-in sections and heavy-gauge steel construction, give the Crown MonoLift mast powerful performance and stability.

### Twisting and Swaying

are significantly minimized—especially when compared to traditional, dual-upright mast construction.

## Mast Options



### Standard (TN) & (TF)

reaches heights of 495" and 459" respectively.

### Triple-Stage (TT)

reaches heights of 675". With its extremely low collapsed height, the triple-stage mast option delivers unmatched flexibility.

700"  
600"  
500"  
400"  
300"  
200"  
100"  
0"

Based on  
72-inch OAW

3300 lbs.  
to a height  
of 495"

1800 lbs.  
to a maximum  
height of 675"

## More Height

# 675"

With operators and loads up to 675" or six stories in the air, stability is key. Crown's MonoLift mast does the job so your operators can focus on theirs.

## More Capacity at Height

Lift more weight to greater heights than ever before with the TSP Series. Imagine the throughput gains and flexibility in your warehouse when you have fewer capacity constraints—slotting heavier loads nearly anywhere in your operation.



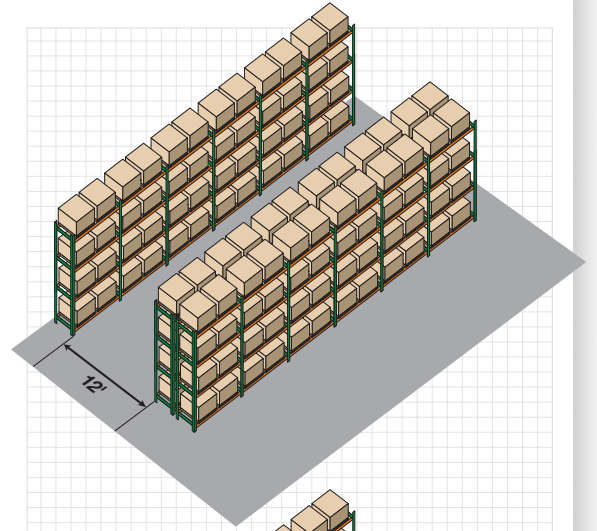


## Make Every Inch Count

Gain more storage capacity utilization with the Crown TSP Series. How would more pallet positions impact your bottom line?

### Traditional Sit-Down/ Counterbalance:

Aisle width: 12 feet  
Pallet levels: 4  
Pallet positions: 144



### Narrow Aisle/ Reach Truck:

Aisle width: 9 feet  
Pallet levels: 4  
Pallet positions: 192

**33% more capacity**



### Very Narrow Aisle/ Turret Truck:

Aisle width: 6 feet  
Pallet levels: 4  
Pallet positions: 240

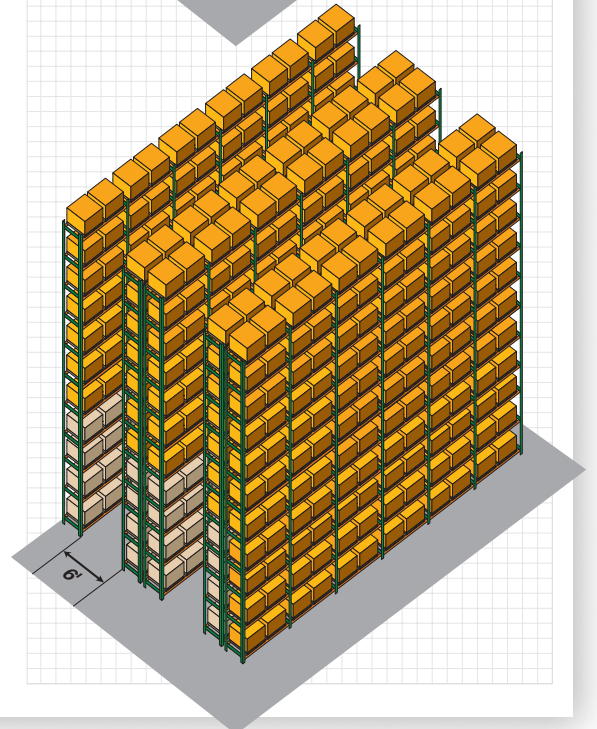
**67% more capacity**

### TSP Series:

Aisle width: 6 feet  
Pallet levels: 11  
Pallet positions: 660

**358% more capacity**

With a reach of 675", the TSP Series lets you nearly triple pallet positions vertically, which is much less expensive than expanding the horizontal footprint.

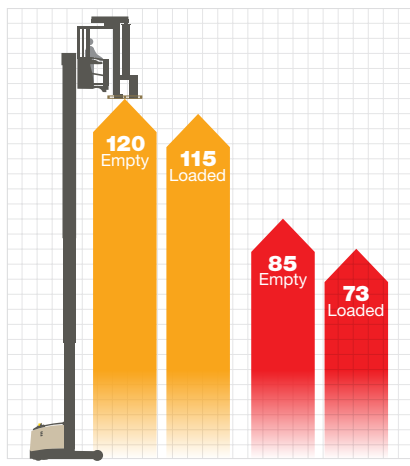


# Performance to Maximize Every Cycle.

The name of the game in warehousing is throughput. So when Crown designed the TSP Series, we focused on features and innovations that improve every aspect of throughput—throughout the cycle.

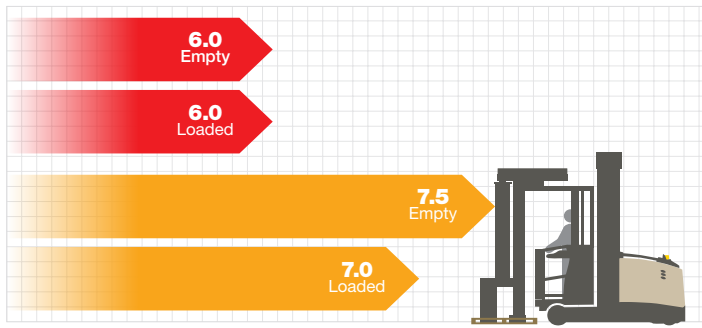
## Move Faster

Lifting a loaded platform is where cycle speed is gained or lost. With the TSP Series, users achieve up to a 41 percent advantage in lift speed. Add in faster travel, pivot and traverse speeds, and you get **Total Cycle Performance.**



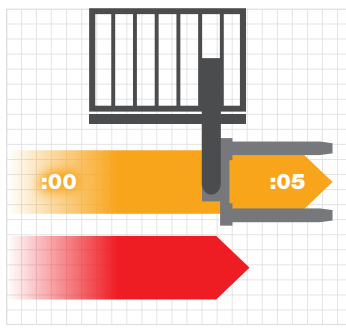
**Main Lift Speed (fpm)** is 120 feet per minute, providing a 41 percent advantage over the competitor.

\*TSP 7000 shown



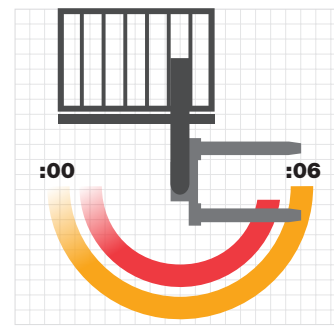
## Maximum Travel Speed (mph)

Faster travel speed means trucks get to the pick slot quicker for a 25 percent advantage.



## Traverse Speed

Complete full traverse in 5 seconds.

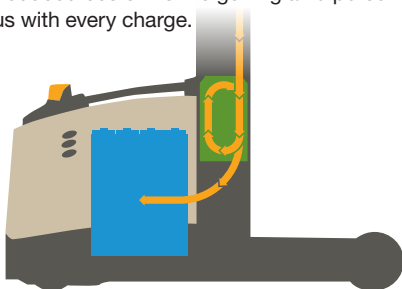


## Pivot Speed

Complete a full, 180-degree pivot in 6 seconds.

## Greater Efficiency

The TSP 6500/7000's Regenerative Lower System captures lost energy and returns it to the battery. This equates to fewer battery changes, longer shifts and reduced costs. It's like getting a 15 percent bonus with every charge.



## Extend Your Shift Life

Larger batteries mean more power, fewer battery changes and longer shift life. They also contribute to handling higher capacity loads at height for extended periods of time.

Model	TSP 7000		TSP 6500	Competitor
Voltage	80 V	72 V	48 V	48 V
Battery Size	AA	N/A	43.1 kWh	43.1 kWh
	A	47.9 kWh	50.3 kWh	50.3 kWh
	B	59.9 kWh	57.5 kWh	N/A
	C	71.9 kWh	71.9 kWh	N/A
	D	83.9 kWh	N/A	N/A

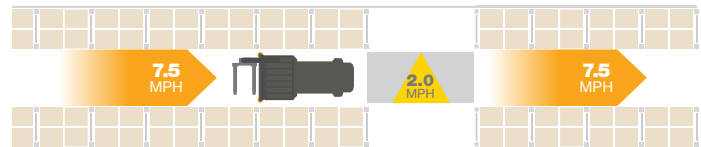


# Ready for the Future.

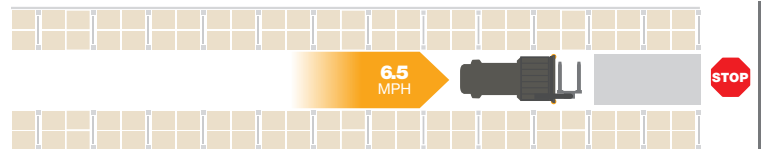
As your business changes, you want to have a lift truck that is ready to evolve with you, enabling further productivity and safety solutions. Crown's focus on the latest technology positions the TSP Series as the right choice for leveraging your investment.

**Auto Fence** helps promote safety by automatically slowing travel speed, stopping or limiting truck height within the VNA (very narrow aisle) based on the location of the truck.

## Automatic Speed Limits



## Automatic Slow/Stop

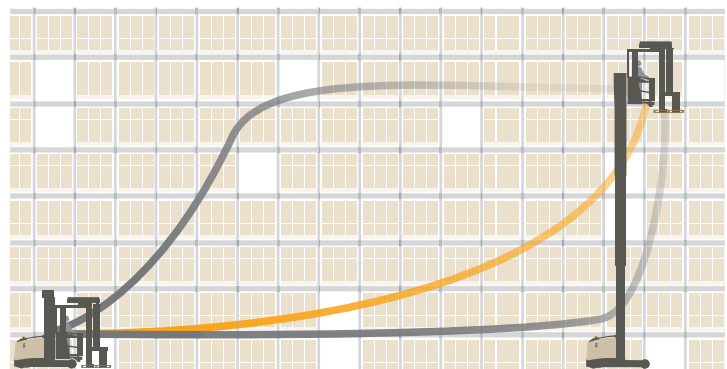


## Automatic Height Limits



- Improved Safety
- Reduced Operator Fatigue
- Upgradeability

**Auto Positioning System** takes the most effective route to the next rack location, increasing productivity up to 25%. Includes Auto Fence.



- Increased Productivity
- Increased Pick Accuracy
- Reduced Operator Fatigue
- Flexibility

# Control to Optimize Every Move.

Turret truck users spend their entire shift in the driver's seat. To make the most of every minute, Crown's TSP Series operator compartment is flexible, comfortable and safe. In fact, operators tell us it is simply the most ergonomically advanced, most comfortable turret truck in the world.

## Driver's Seat

Crown provides unmatched flexibility and comfort with the MoveControl® Seat. Its integrated controls and full adjustability support every operator move.

### Cushioned Armrests

can be adjusted to a number of preset positions to meet the needs of the operator and the task at hand.

### Height Adjustability

is one more way the Crown MoveControl Seat can be easily adapted to each individual operator.

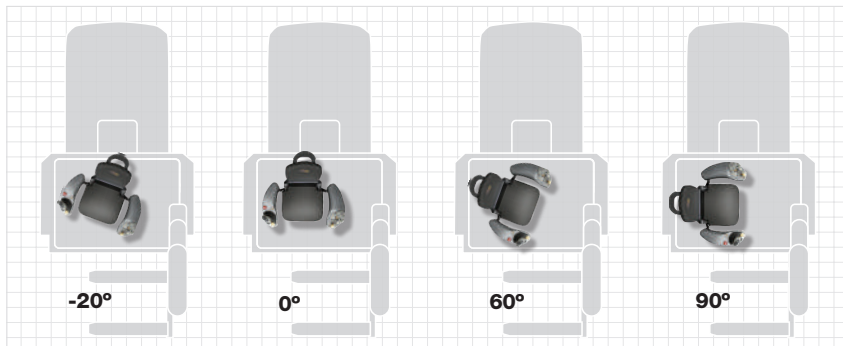


### Swivel Seat & Backrest

provide postural support, flexibility and freedom to manage any task.

**110°**  
Flexibility

Based on extensive human factors studies, the Crown TSP Series provides the most accommodating operator compartment. In fact, the design doesn't limit the operator position. Instead, it gives four-position adjustability for individual comfort and control.



## Smooth and Precise

Precision is critical when moving heavy pallets six stories above the ground. That's why the TSP Series equips operators with intuitive, blended controls that provide razor-sharp precision on demand.



### Innovative Steering Tiller

another Crown exclusive, can be operated with the finger divot or via a flip-up tiller knob.



### Multi-Task Controls

offer blending of primary functions and improve productivity with their intuitive, operator-centric design.



## Operator-Centric Design

Crown's turret compartment is the office of busy operators. We maximized space and function right down to the storage compartments.

- 1. Foot-activated Service Brakes** respond to downward pressure—mimicking automotive braking.
- 2. Integrated Armrest Controls** provide shift-long arm support and easy access to controls.
- 3. Multiple Storage Compartments** provide much-needed, convenient storage for tools and other operator needs.
- 4. Switch Panel** is easily accessible and provides fan and light control.
- 5. MoveControl® Seat** allows for one stand up and four seated positions for optimum visibility and comfort.
- 6. Presence Pedals** require operator feet in proper position before activation.
- 7. Anti-fatigue Floor Mat** features a microcellular composition to reduce discomfort/back stresses.
- 8. Work Assist Rail** provides support for the operator when building pallets in a picking application.
- 9. Side Gates** need to be lowered for operation and provide postural support for operators when order picking.



**Standing Tasks** are efficiently accomplished with a seat that folds up and controls that adjust to the operator height.





# Uptime to be Ready Every Shift.

Turret trucks are major investments, so you should expect uptime and optimum performance day in and day out. That's why the TSP Series combines advanced technology, precision manufacturing and ergonomic design to ensure that truck and operator can both perform at peak, delivering maximum operational productivity.

## Cold Storage

The spacious enclosed cabin option creates a comfortable work environment in extreme-temperature applications. In addition to enabling greater shift endurance, the cab also affords exceptional visibility that contributes to operator productivity.



## Diverse Fleet, Same Batteries and Chargers

Crown's TSP Series is designed to optimize battery performance and shift life. The 72V TSP 7000 with two 36 volt batteries enables common batteries and chargers to be used across your fleet.

### Top Battery Access

provides fast in-truck battery maintenance, while battery rollers with ball bearings enable easier and faster battery changes.





# Durability Inside and Out.

One look tells you that the TSP Series is built for long-term reliability and simplified component accessibility.

## Steel Where it Counts

Crown's TSP Series features a heavy-duty steel frame and steel covers, combining a rock-solid foundation and superior component protection for longer truck life.

## Easy, No Tools Required

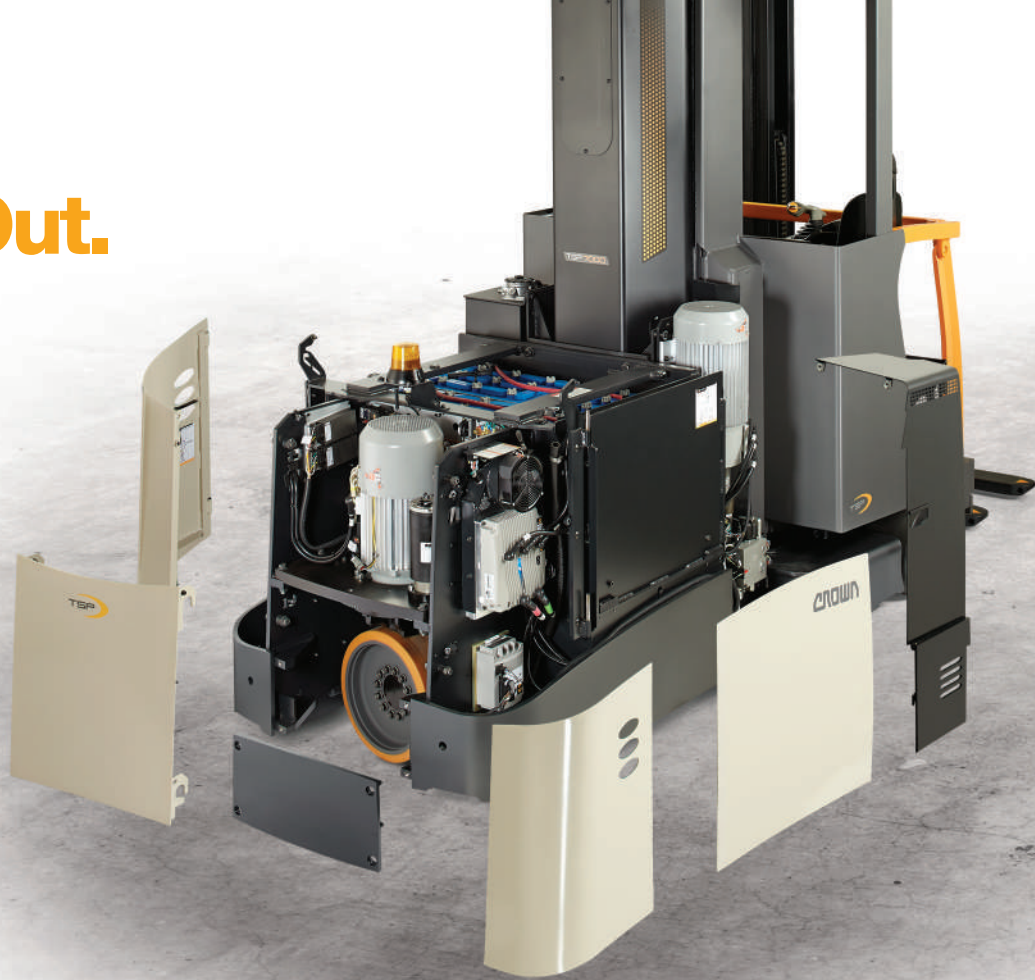
The front, side and top covers of the TSP can be quickly removed or opened without tools, so you can service in or out of the aisle.

## Removable Skirt Door

for easy access and fast drive tire service.

## Separation of Electronics and Hydraulic Systems

keeps oil and heat away from electronics for better long-term reliability.



## More Uptime for Your Investment

Crown's integrated approach combines truck feedback and diagnostics, Crown-made parts and dedicated service teams to give you more uptime and the lowest total cost of ownership.



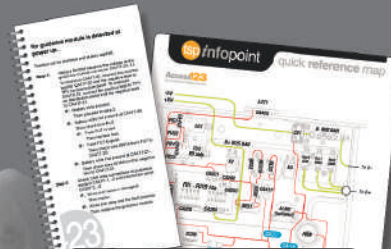
**Access123**

**Access 1 2 3** technology enables advanced diagnostics through an intuitive display. This diagnostics system, used across all Crown trucks, increases technician proficiency, resulting in significant savings in service time and costs.



**InfoLink**

**InfoLink** is a wireless operator and fleet management solution that puts the power of accurate, up-to-date, business metrics right at your fingertips.



**tsp infopoint**

**Crown's InfoPoint** Quick Reference Guide and on-truck component maps provide technicians with vital information to quickly, accurately and easily resolve issues without wiring diagrams or schematics.



**INTEGRITY Service SYSTEM**

**Crown's Integrity Parts and Service System** solutions ensure long-term truck performance by matching trained technicians with Crown-made parts for long-lasting performance. That's a major difference with Crown.

**The TSP Series: The New Standard in Throughput.**  
Contact your local Crown dealer for a demonstration.



Visit [crown.com](http://crown.com)

See the TSP Series



**Crown Equipment Corporation**

New Bremen, Ohio 45869 USA

**Tel** 419-629-2311

**Fax** 419-629-3796

[crown.com](http://crown.com)

**You can count on Crown to build lift trucks designed for safe operation, but that's only part of the safety equation. Crown encourages safe operating practices through ongoing operator training, safety-focused supervision, maintenance and a safe working environment. Go to [crown.com](http://crown.com) and view our safety section to learn more.**

Because Crown is continually improving its products, specifications are subject to change without notice.

Crown, the Crown logo, the color beige, the Momentum Mark, Access 1 2 3, MonoLift, MoveControl, Work Assist, InfoLink, InfoPoint, Integrity Service System and the ecologic logo are trademarks of Crown Equipment Corporation.

Copyright 2018 Crown Equipment Corporation  
SF19324 Rev. 01-18  
Printed in U.S.A.



Clean Environment. Smart Business.

Printed on elemental chlorine free and sustainably forested paper.