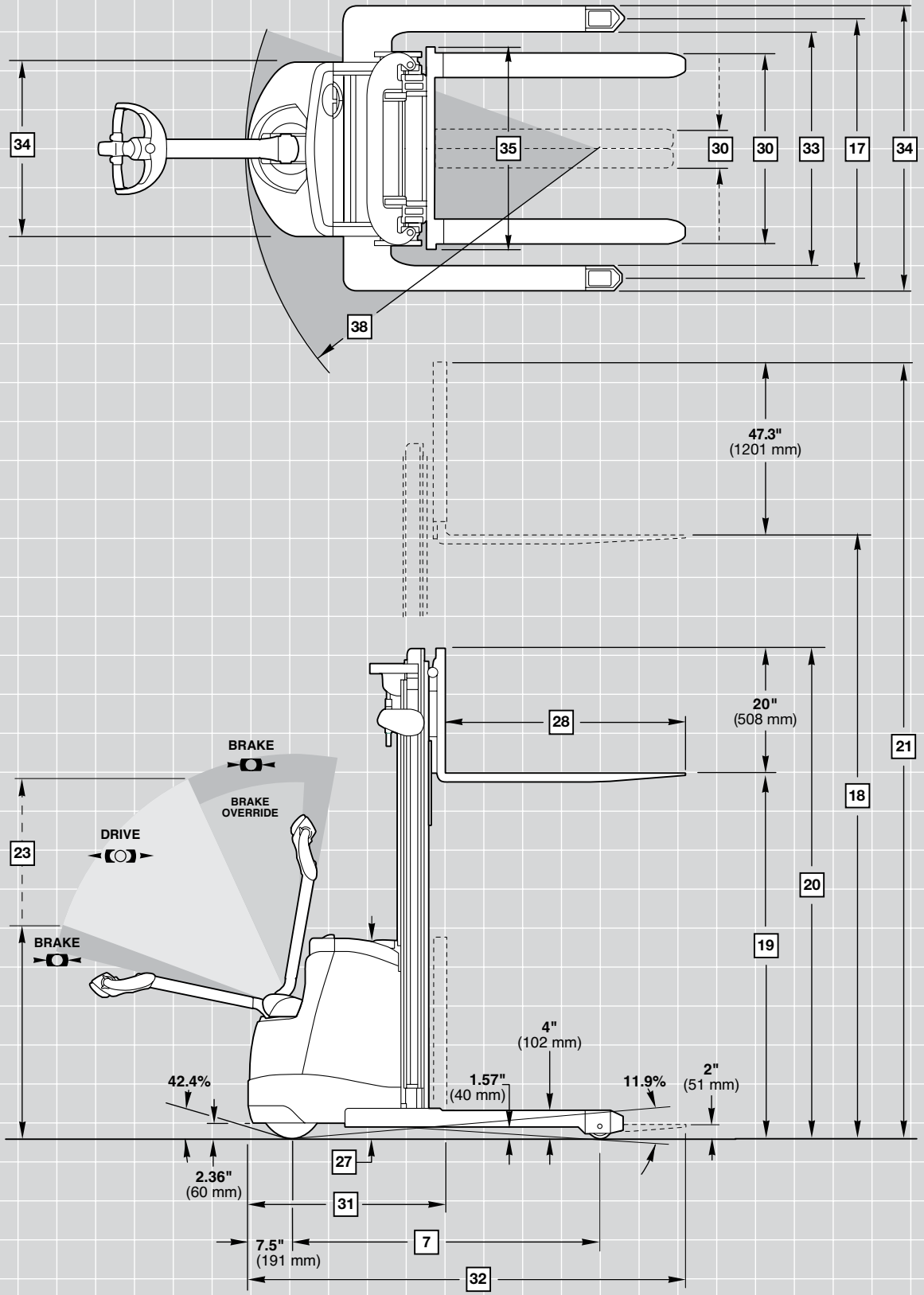


**CROWN**

# **SX 3000** SERIES

**Specifications**  
Stackers





# SX 3000-30 Model

# Specifications

				Imperial	Metric		
General Information	1	Manufacturer		Crown Equipment Corporation			
	2	Model		SX 3000-30			
		Mast Type	in mm	TL-128	TL-3236		
	3	Power		Electric			
	4	Operator Type		Walkie			
	5	Load Capacity	Max	lb kg	3000	1361	
	6	Load Center		in mm	24	600	
	7	Wheelbase		in mm	53.6	1362	
8	Weight Less Battery	Auxiliary	lb kg	2247	1019		
		No Auxiliary	lb kg	2143	972		
Tires	13	Wheel Size Front (d x w)	Vulkollan	in mm	10x3.35	254x85	
			Rubber	in mm	10x4	254x100	
	14	Wheel Size Rear (d x w)	Vulkollan	in mm	4x3	102x73	
	15	Additional Wheels Caster Wheel (d x w)	Poly	in mm	3.54x2	90x50	
	16	Wheels Number (x=driven)	Front/Rear		1x/2		
Dimensions	17	Track Width	Rear	in mm	Inside Straddle + 4	Inside Straddle + 102	
	18	Lift Height		in mm	127.4	3236	
	18a	Capacity at Lift Height**	24" (610 mm) Load Center		lb kg	3000	1361
			26" (660 mm) Load Center		lb kg	2700	1225
			28" (711 mm) Load Center		lb kg	2500	1134
			30" (762 mm) Load Center		lb kg	2250	1020
	19	Free Lift	w/o Load Backrest	in mm	6	152	
	20	Collapsed Height		in mm	83	2108	
	21	Extended Height	w/o Load Backrest	in mm	Lift Height + 20	Lift Height + 510	
			w/Load Backrest	in mm	Lift Height + 47.3	Lift Height + 1202	
	22	Load Backrest Size		in mm	47.3Hx32.7W	1202Hx832W	
	23	Tiller Arm Ht in Drive Position	Min/Max	in mm	31.1/47.5	790/1206	
	24	Outrigger Height		in mm	4	100	
	25	Lowered Fork Height		in mm	2	50	
	27	Power Unit Height		in mm	32.28	820	
	28	Fork Lengths		in mm	36/42/48	914/1067/1219	
	29	Fork Dimensions	Thickness x Width	in mm	1.5x4	38x102	
	30	Width Across Forks	Adjustable Min/Max	in mm	10-30.93	253.6-785.6	
	31	Headlength*		in mm	34.02*	869*	
	32	Overall Length			Headlength + Fork Length		
	33	Inside Straddle		in mm	38-50	965-1270	
	34	Overall Width	Front	in mm	28.03	712	
			Rear	in mm	Inside Straddle + 8	Inside Straddle + 204	
	35	Fork Carriage Width		in mm	31.89	810	
	36	Ground Clearance	w/Load below Mast	in mm	1.57	40	
	37		Center Wheelbase	in mm	1.57	40	
	38	Turning Radius		in mm	61.14	1553	
Performance	39	Length with Outriggers		in mm	65	1651	
	40	Travel Speed	w/wo Load	mph (km/h)	3.42/3.73	5.5/6.0	
	41	Lift Speed	w/wo Load	fpm (m/s)	31.50/49.21	.16/.25	
	42	Lowering Speed 1	w/wo Load	fpm (m/s)	51.18/41.34	.26/.21	
	42	Lowering Speed 2	w/wo Load	fpm (m/s)	11.81/5.91	.06/.03	
	43	Gradeability	w/wo Load, 60 min Rating	%		2.6/5.2	
			w/wo Load, 30 min Rating	%		4.4/8.7	
	44	Max Gradeability	w/wo Load, 5 min Rating	%		9.5/19.4	
	45	Service Brake				Electric	
	Battery	46	Maximum Battery Box	L x W x H	in mm	9.1x26.4x23.62 (w/No Clearance)	230x670x600 (w/No Clearance)
47		Battery Voltage (Nominal Capacity 6 Hour Rating)	4x 6v MF	V/Ah		24/195	
			300 Industrial	V/Ah		24/300	
48		Type of Controller	Drive			Transistor	
49	Battery Weight (min)	4x 6v MF	lb kg		280	127	
		300 amp hour Industrial	lb kg		280	127	

\* Add 2.24" (57 mm) for sideshift option.

\*\*Deduct 300 lb (136 kg) for sideshift option.

English conversions are approximations. Metric conversions should be done to find true values.

# SX 3000-30 Model

# Specifications

			Imperial	Metric		
General Information	1	Manufacturer	Crown Equipment Corporation			
	2	Model	SX 3000-30			
		Mast Type	in mm			
	3	Power	TT-154	TT-3912		
	4	Operator Type		Electric Walkie		
	5	Load Capacity	Max	lb kg	3000	1361
	6	Load Center		in mm	24	600
	7	Wheelbase		in mm	53.6	1362
8	Weight Less Battery	Auxiliary	lb kg	2423	1099	
		No Auxiliary	lb kg	2319	1052	
Tires	13	Wheel Size Front (d x w)	Vulkollan	in mm	10x3.35	254x85
			Rubber	in mm	10x4	254x100
	14	Wheel Size Rear (d x w)	Vulkollan	in mm	4x3	102x73
	15	Additional Wheels Caster Wheel (d x w)	Poly	in mm	3.54x2	90x50
	16	Wheels Number (x=driven)	Front/Rear		1x/2	
17	Track Width	Rear	in mm	Inside Straddle + 4	Inside Straddle + 102	
		Lift Height	in mm	154	3912	
18a	Capacity at Lift Height**	24" (610 mm) Load Center	lb kg	3000	1361	
		26" (660 mm) Load Center	lb kg	2700	1225	
		28" (711 mm) Load Center	lb kg	2500	1134	
		30" (762 mm) Load Center	lb kg	2250	1020	
19	Free Lift	w/o Load Backrest	in mm	53	1347	
20	Collapsed Height		in mm	73	1858	
21	Extended Height	w/o Load Backrest	in mm	Lift Height + 20	Lift Height + 510	
		w/Load Backrest	in mm	Lift Height + 47.3	Lift Height + 1202	
22	Load Backrest Size		in mm	47.3Hx32.7W	1202Hx832W	
23	Tiller Arm Ht in Drive Position	Min/Max	in mm	31.1/47.5	790/1206	
24	Outrigger Height		in mm	4	100	
25	Lowered Fork Height		in mm	2	50	
27	Power Unit Height		in mm	32.28	820	
28	Fork Lengths		in mm	36/42/48	914/1067/1219	
29	Fork Dimensions	Thickness x Width	in mm	1.5x4	38x102	
30	Width Across Forks	Adjustable Min/Max	in mm	10-30.93	253.6-785.6	
31	Headlength*		in mm	34.72*	887*	
32	Overall Length			Headlength + Fork Length		
33	Inside Straddle		in mm	38-50	965-1270	
34	Overall Width	Front	in mm	28.03	712	
		Rear	in mm	Inside Straddle + 8	Inside Straddle + 204	
35	Fork Carriage Width		in mm	31.89	810	
36	Ground Clearance	w/Load below Mast	in mm	1.57	40	
37		Center Wheelbase	in mm	1.57	40	
38	Turning Radius		in mm	61.14	1553	
39	Length with Outriggers		in mm	65	1651	
Performance	40	Travel Speed	w/wo Load	mph (km/h)	3.42/3.73	5.5/6.0
	41	Lift Speed	w/wo Load	fpm (m/s)	31.50/49.21	.16/.25
	42	Lowering Speed 1	w/wo Load	fpm (m/s)	51.18/41.34	.26/.21
			w/wo Load	fpm (m/s)	11.81/5.91	.06/.03
	43	Gradeability	w/wo Load, 60 min Rating	%	2.1/4.7	
w/wo Load, 30 min Rating			%	3.6/7.9		
44	Max Gradeability	w/wo Load, 5 min Rating	%	7.8/17.5		
45	Service Brake			Electric		
Battery	46	Maximum Battery Box	L x W x H	in mm	9.1x26.4x23.62 (w/No Clearance)	230x670x600 (w/No Clearance)
	47	Battery Voltage (Nominal Capacity 6 Hour Rating)	4x 6v MF	V/Ah	24/195	
			300 Industrial	V/Ah	24/300	
	48	Type of Controller	Drive		Transistor	
49	Battery Weight (min)	4x 6v MF	lb kg	280	127	
		300 amp hour Industrial	lb kg	280	127	

\* Add 2.24" (57 mm) for sideshift option.

\*\*Deduct 300 lb (136 kg) for sideshift option.

English conversions are approximations. Metric conversions should be done to find true values.

# SX 3000-30 Model

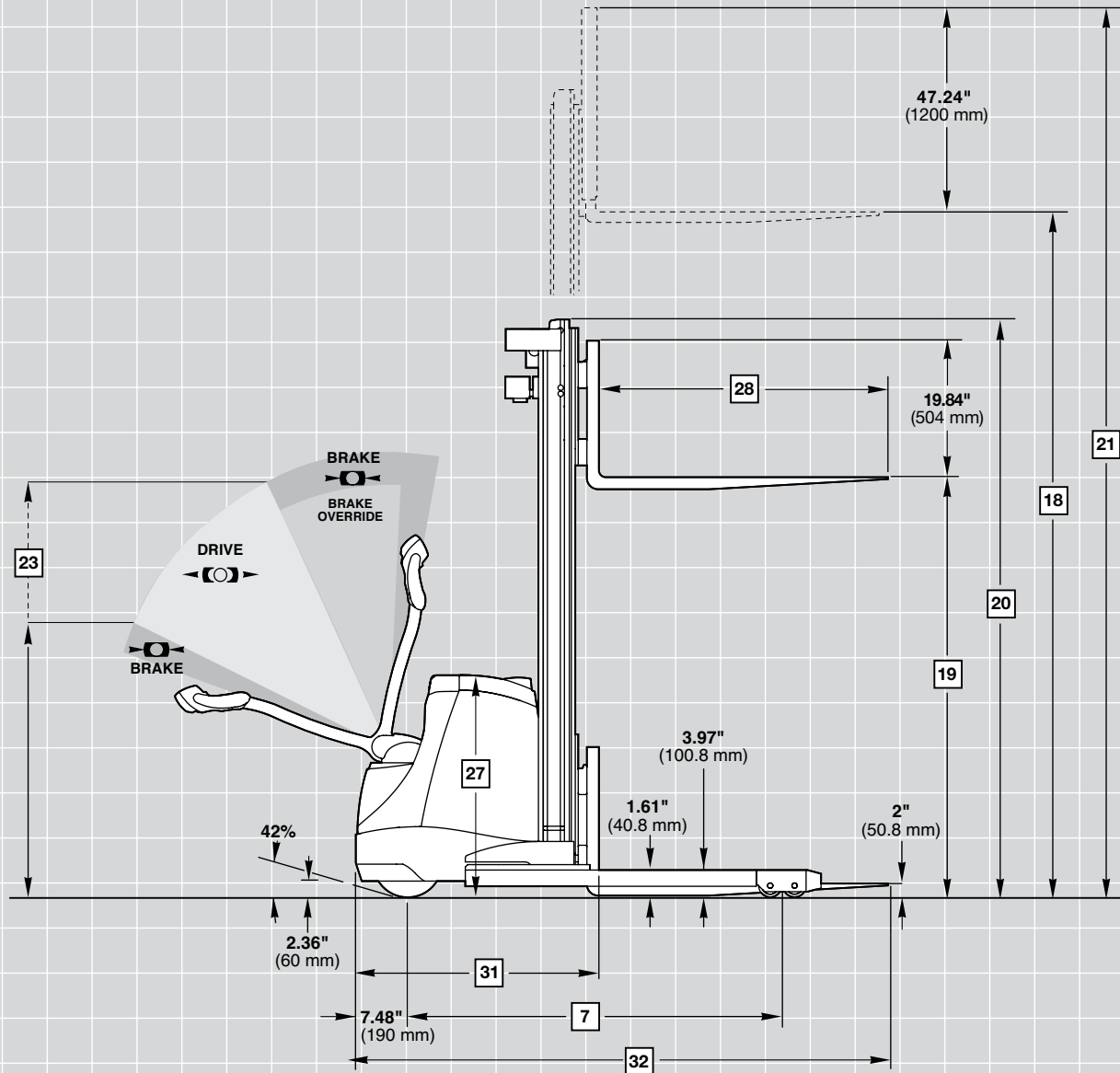
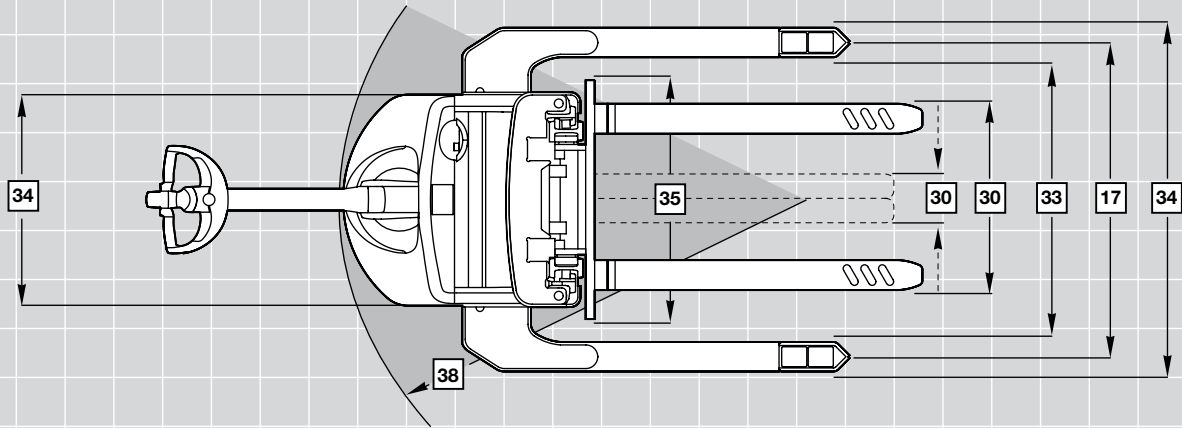
# Specifications

				Imperial	Metric	
General Information	1	Manufacturer		Crown Equipment Corporation		
	2	Model		SX 3000-30		
		Mast Type	in mm	TT-168	TT-4267	
	3	Power		Electric		
	4	Operator Type		Walkie		
	5	Load Capacity	Max	lb kg	3000	1361
	6	Load Center		in mm	24	600
Tires	7	Wheelbase		in mm	53.6	1362
	8	Weight Less Battery	Auxiliary	lb kg	2423	1099
			No Auxiliary	lb kg	2319	1052
	13	Wheel Size Front (d x w)	Vulkollan	in mm	10x3.35	254x85
			Rubber	in mm	10x4	254x100
	14	Wheel Size Rear (d x w)	Vulkollan	in mm	4x3	102x73
	15	Additional Wheels Caster Wheel (d x w)	Poly	in mm	3.54x2	90x50
	16	Wheels Number (x=driven)	Front/Rear		1x/2	
	17	Track Width	Rear	in mm	Inside Straddle + 4	Inside Straddle + 102
	18	Lift Height		in mm	168	4267
Dimensions	18a	Capacity at Lift Height**	24" (610 mm) Load Center	lb kg	2500	1134
			26" (660 mm) Load Center	lb kg	2200	998
			28" (711 mm) Load Center	lb kg	2000	907
			30" (762 mm) Load Center	lb kg	1750	795
	19	Free Lift	w/o Load Backrest	in mm	53	1347
	20	Collapsed Height		in mm	73	1858
	21	Extended Height	w/o Load Backrest	in mm	Lift Height + 20	Lift Height + 510
			w/Load Backrest	in mm	Lift Height + 47.3	Lift Height + 1202
	22	Load Backrest Size		in mm	47.3Hx32.7W	1202Hx832W
	23	Tiller Arm Ht in Drive Position	Min/Max	in mm	31.1/47.5	790/1206
	24	Outrigger Height		in mm	4	100
	25	Lowered Fork Height		in mm	2	50
	27	Power Unit Height		in mm	32.28	820
	28	Fork Lengths		in mm	36/42/48	914/1067/1219
	29	Fork Dimensions	Thickness x Width	in mm	1.5x4	38x102
	30	Width Across Forks	Adjustable Min/Max	in mm	10-30.93	253.6-785.6
	31	Headlength*		in mm	34.72*	887*
	32	Overall Length			Headlength + Fork Length	
33	Inside Straddle		in mm	38-50	965-1270	
34	Overall Width	Front	in mm	28.03	712	
		Rear	in mm	Inside Straddle + 8	Inside Straddle + 204	
35	Fork Carriage Width		in mm	31.89	810	
36	Ground Clearance	w/Load below Mast	in mm	1.57	40	
37		Center Wheelbase	in mm	1.57	40	
38	Turning Radius		in mm	61.14	1553	
Performance	39	Length with Outriggers		in mm	65	1651
	40	Travel Speed	w/wo Load	mph (km/h)	3.42/3.73	5.5/6.0
	41	Lift Speed	w/wo Load	fpm (m/s)	31.50/49.21	.16/.25
	42	Lowering Speed 1	w/wo Load	fpm (m/s)	51.18/41.34	.26/.21
			w/wo Load	fpm (m/s)	11.81/5.91	.06/.03
	43	Gradeability	w/wo Load, 60 min Rating	%	2.1/4.7	
			w/wo Load, 30 min Rating	%	3.6/7.9	
	44	Max Gradeability	w/wo Load, 5 min Rating	%	7.8/17.5	
	45	Service Brake			Electric	
Battery	46	Maximum Battery Box	L x W x H	in mm	9.1x26.4x23.62 (w/No Clearance)	230x670x600 (w/No Clearance)
	47	Battery Voltage (Nominal Capacity 6 Hour Rating)	4x 6v MF	V/Ah	24/195	
			300 Industrial	V/Ah	24/300	
	48	Type of Controller	Drive		Transistor	
49	Battery Weight (min)	4x 6v MF	lb kg	280	127	
		300 amp hour Industrial	lb kg	280	127	

\* Add 2.24" (57 mm) for sideshift option.

\*\*Deduct 300 lb (136 kg) for sideshift option.

English conversions are approximations. Metric conversions should be done to find true values.



# SX 3000-40 Model

# Specifications

				Imperial	Metric	
General Information	1	Manufacturer		Crown Equipment Corporation		
	2	Model		SX 3000-40		
		Mast Type	in mm	TL-129	TL-3279	
	3	Power		Electric		
	4	Operator Type		Walkie		
	5	Load Capacity	Max	lb kg	4000	1814
	6	Load Center		in mm	24	600
Tires	7	Wheelbase		in mm	54.45	1383
	8	Weight Less Battery*	Auxiliary	lb kg	2494	1131
			No Auxiliary	lb kg	2368	1074
	13	Wheel Size Front (d x w)	Vulkollan	in mm	10x3.35	254x85
			Rubber	in mm	10x4	254x100
	14	Wheel Size Rear (d x w)	Vulkollan	in mm	3.35x2.9 tandem	85x74 tandem
	15	Additional Wheels Caster Wheel (d x w)	Poly	in mm	3.54x2	90x50
16	Wheels Number (x=driven)	Front/Rear		1x/2		
Dimensions	17	Track Width	Rear	in mm	Inside Straddle + 3.94	Inside Straddle + 100
	18	Lift Height		in mm	129	3279
	18a	Capacity at Lift Height**	24" (610 mm) Load Ctr.	lb kg	4000	1814
			16" (406 mm) Load Ctr.	lb kg	4000	1814
	19	Free Lift	w/o Load Backrest	in mm	4	100
	20	Collapsed Height		in mm	83.9	2130
	21	Extended Height	w/o Load Backrest	in mm	Lift Height + 21.8	Lift Height + 554
			w/Load Backrest	in mm	Lift Height + 47.3	Lift Height + 1202
	22	Load Backrest Size		in mm	47.3Hx32.7W	1202Hx832W
	23	Tiller Arm Ht in Drive Pos.	Min/Max	in mm	31.1/47.5	790/1206
	24	Outrigger Height		in mm	3.97	101
	25	Lowered Fork Height		in mm	2	51
	27	Power Unit Height		in mm	32.28	820
	28	Fork Lengths		in mm	36/42/48	914/1067/1219
	29	Fork Dimensions	Thickness x Width	in mm	1.75x4	44.5x102
	30	Width Across Forks	Adjustable Min/Max	in mm	10-30.93	254-785
	31	Headlength***		in mm	35.27	896
	32	Overall Length			Headlength + Fork Length	
	33	Inside Straddle		in mm	38-50	965-1270
	34	Overall Width	Front	in mm	28.03	712
			Rear	in mm	Inside Straddle + 7.87	Inside Straddle + 200
	35	Fork Carriage Width		in mm	31.89	810
	36	Ground Clearance	w/Load below Mast	in mm	1.61	41
	37		Center Wheelbase	in mm	1.61	41
	38	Turning Radius		in mm	61.99	1575
	39	Length with Outriggers		in mm	67.55	1716
	Performance	40	Travel Speed	w/wo Load	mph (km/h)	3.12/3.60
41		Lift Speed	w/wo Load	fpm (m/s)	23.62/39.37	0.12/0.20
42		Lowering Speed 1	w/wo Load	fpm (m/s)	59.06/39.37	0.30/0.20
			w/wo Load	fpm (m/s)	13.78/5.91	0.07/0.03
43		Gradeability	w/wo Load, 60 min Rating	%	2.1/4.7	
			w/wo Load, 30 min Rating	%	3.6/7.9	
44		Max Gradeability	w/wo Load, 5 min Rating	%	7.8/17.5	
45	Service Brake			Electric		
Battery	46	Maximum Battery Box	L x W x H	in mm	9.1x26.4x23.62 (w/No Clearance)	230x670x600 (w/No Clearance)
	47	Battery Voltage (Nominal Capacity 6 Hour Rating)	4x 6v MF	V/Ah	24/195	
			300 Industrial	V/Ah	24/300	
	48	Type of Controller	Drive		Transistor	
	49	Battery Weight	4x 6v MF	lb kg	313	142
300 amp hour Industrial			lb kg	360-710	163-322	
50	Internal Charger			V/amp	120/30	

\* Deduct 66 lbs (30 kg) from truck weight for 38"-41.99" straddle ID.

\*\*No change with sideshift option.

\*\*\*Add 2.24 (57 mm) for sideshift option.

## SX 3000-40 Model Specifications

			<i>Imperial</i>	<i>Metric</i>			
<b>General Information</b>	1	<b>Manufacturer</b>	<b>Crown Equipment Corporation</b>				
	2	<b>Model</b>	<b>SX 3000-40</b>				
		<b>Mast Type</b>	in mm	TT-156	TT-3962		
	3	<b>Power</b>		Electric			
	4	<b>Operator Type</b>		Walkie			
	5	<b>Load Capacity</b>	Max	lb kg	4000	1814	
	6	<b>Load Center</b>		in mm	24	600	
	7	<b>Wheelbase</b>		in mm	54.45	1383	
	8	<b>Weight Less Battery*</b>	Auxiliary	lb kg	2767	1255	
			No Auxiliary	lb kg	2642	1198	
<b>Tires</b>	13	<b>Wheel Size Front (d x w)</b>	Vulkollan	in mm	10x3.35	254x85	
			Rubber	in mm	10x4	254x100	
	14	<b>Wheel Size Rear (d x w)</b>	Vulkollan	in mm	3.35x2.9 tandem	85x74 tandem	
	15	<b>Additional Wheels Caster Wheel (d x w)</b>	Poly	in mm	3.54x2	90x50	
	16	<b>Wheels Number (x=driven)</b>	Front/Rear		1x/2		
<b>Dimensions</b>	17	<b>Track Width</b>	Rear	in mm	Inside Straddle + 3.94	Inside Straddle + 100	
	18	<b>Lift Height</b>		in mm	156	3962	
	18a	<b>Capacity at Lift Height**</b>	24" (610 mm) Load Ctr.	lb kg	3400	1542	
			16" (406 mm) Load Ctr.	lb kg	3400	1542	
	19	<b>Free Lift</b>	w/o Load Backrest	in mm	50.9	1293	
	20	<b>Collapsed Height</b>		in mm	73.1	1858	
	21	<b>Extended Height</b>	w/o Load Backrest	in mm	Lift Height + 21.8	Lift Height + 554	
			w/Load Backrest	in mm	Lift Height + 47.3	Lift Height + 1202	
	22	<b>Load Backrest Size</b>		in mm	47.3Hx32.7W	1202Hx832W	
	23	<b>Tiller Arm Ht in Drive Pos.</b>	Min/Max	in mm	31.1/47.5	790/1206	
	24	<b>Outrigger Height</b>		in mm	3.97	101	
	25	<b>Lowered Fork Height</b>		in mm	2	51	
	27	<b>Power Unit Height</b>		in mm	32.28	820	
	28	<b>Fork Lengths</b>		in mm	36/42/48	914/1067/1219	
	29	<b>Fork Dimensions</b>	Thickness x Width	in mm	1.75x4	44.5x102	
	30	<b>Width Across Forks</b>	Adjustable Min/Max	in mm	10-30.93	254-785	
	31	<b>Headlength***</b>		in mm	36.27	921	
	32	<b>Overall Length</b>			Headlength + Fork Length		
	33	<b>Inside Straddle</b>		in mm	38-50	965-1270	
	34	<b>Overall Width</b>	Front	in mm	28.03	712	
			Rear	in mm	Inside Straddle + 7.87	Inside Straddle + 200	
	35	<b>Fork Carriage Width</b>		in mm	31.89	810	
	36	<b>Ground Clearance</b>	w/Load below Mast	in mm	1.61	41	
	37		Center Wheelbase	in mm	1.61	41	
	38	<b>Turning Radius</b>		in mm	61.99	1575	
	39	<b>Length with Outriggers</b>		in mm	67.55	1716	
	<b>Performance</b>	40	<b>Travel Speed</b>	w/wo Load	mph (km/h)	3.12/3.60	5.02/5.79
		41	<b>Lift Speed</b>	w/wo Load	fpm (m/s)	23.62/39.37	0.12/0.20
42		<b>Lowering Speed 1</b>	w/wo Load	fpm (m/s)	59.06/39.37	0.30/0.20	
			<b>Lowering Speed 2</b>	w/wo Load	fpm (m/s)	13.78/5.91	0.07/0.03
43		<b>Gradeability</b>	w/wo Load, 60 min Rating	%	2.1/4.7		
			w/wo Load, 30 min Rating	%	3.6/7.9		
44	<b>Max Gradeability</b>	w/wo Load, 5 min Rating	%	7.8/17.5			
45	<b>Service Brake</b>			Electric			
<b>Battery</b>	46	<b>Maximum Battery Box</b>	L x W x H	in mm	9.1x26.4x23.62 (w/No Clearance)	230x670x600 (w/No Clearance)	
	47	<b>Battery Voltage (Nominal Capacity 6 Hour Rating)</b>	4x 6v MF	V/Ah	24/195		
			300 Industrial	V/Ah	24/300		
	48	<b>Type of Controller</b>	Drive		Transistor		
	49	<b>Battery Weight</b>	4x 6v MF	lb kg	313	142	
300 amp hour Industrial			lb kg	360-710	163-322		
50	<b>Internal Charger</b>		V/amp	120/30			

\* Deduct 66 lbs (30 kg) from truck weight for 38"-41.99" straddle ID.

\*\*No change with sideshift option.

\*\*\*Add 2.24 (57 mm) for sideshift option.



# SX 3000-40 Model

# Specifications

				Imperial	Metric
General Information	1	Manufacturer		Crown Equipment Corporation	
	2	Model		SX 3000-40	
		Mast Type	in mm	TT-168	TT-4267
	3	Power		Electric	
	4	Operator Type		Walkie	
	5	Load Capacity	Max lb kg	4000	1814
	6	Load Center	in mm	24	600
Tires	7	Wheelbase	in mm	54.45	1383
	8	Weight Less Battery*	Auxiliary lb kg	2816	1277
			No Auxiliary lb kg	2690	1220
	13	Wheel Size Front (d x w)	Vulkollan in mm	10x3.35	254x85
			Rubber in mm	10x4	254x100
	14	Wheel Size Rear (d x w)	Vulkollan in mm	3.35x2.9 tandem	85x74 tandem
	15	Additional Wheels Caster Wheel (d x w)	Poly in mm	3.54x2	90x50
16	Wheels Number (x=driven)	Front/Rear	1x/2		
Dimensions	17	Track Width	Rear in mm	Inside Straddle + 3.94	Inside Straddle + 100
	18	Lift Height	in mm	168	4267
	18a	Capacity at Lift Height**	24" (610 mm) Load Ctr. lb kg	3000	1361
			16" (406 mm) Load Ctr. lb kg	3000	1361
	19	Free Lift	w/o Load Backrest in mm	55.7	1415
	20	Collapsed Height	in mm	78	1980
	21	Extended Height	w/o Load Backrest in mm	Lift Height + 21.8	Lift Height + 554
			w/Load Backrest in mm	Lift Height + 47.3	Lift Height + 1202
	22	Load Backrest Size	in mm	47.3Hx32.7W	1202Hx832W
	23	Tiller Arm Ht in Drive Pos.	Min/Max in mm	31.1/47.5	790/1206
	24	Outrigger Height	in mm	3.97	101
	25	Lowered Fork Height	in mm	2	51
	27	Power Unit Height	in mm	32.28	820
	28	Fork Lengths	in mm	36/42/48	914/1067/1219
	29	Fork Dimensions	Thickness x Width in mm	1.75x4	44.5x102
	30	Width Across Forks	Adjustable Min/Max in mm	10-30.93	254-785
	31	Headlength***	in mm	36.27	921
	32	Overall Length		Headlength + Fork Length	
	33	Inside Straddle	in mm	38-50	965-1270
	34	Overall Width	Front in mm	28.03	712
			Rear in mm	Inside Straddle + 7.87	Inside Straddle + 200
	35	Fork Carriage Width	in mm	31.89	810
	36	Ground Clearance	w/Load below Mast in mm	1.61	41
	37		Center Wheelbase in mm	1.61	41
	38	Turning Radius	in mm	61.99	1575
	39	Length with Outriggers	in mm	67.55	1716
	Performance	40	Travel Speed	w/wo Load mph (km/h)	3.12/3.60
41		Lift Speed	w/wo Load fpm (m/s)	23.62/39.37	0.12/0.20
42		Lowering Speed 1	w/wo Load fpm (m/s)	59.06/39.37	0.30/0.20
			w/wo Load fpm (m/s)	13.78/5.91	0.07/0.03
43		Gradeability	w/wo Load, 60 min Rating %	2.1/4.7	
			w/wo Load, 30 min Rating %	3.6/7.9	
44		Max Gradeability	w/wo Load, 5 min Rating %	7.8/17.5	
45	Service Brake		Electric		
Battery	46	Maximum Battery Box	L x W x H in mm	9.1x26.4x23.62 (w/No Clearance)	230x670x600 (w/No Clearance)
	47	Battery Voltage (Nominal Capacity 6 Hour Rating)	4x 6v MF V/Ah	24/195	
			300 Industrial V/Ah	24/300	
	48	Type of Controller	Drive	Transistor	
	49	Battery Weight	4x 6v MF lb kg	313	142
300 amp hour Industrial lb kg			360-710	163-322	
50	Internal Charger	V/amp	120/30		

\* Deduct 66 lbs (30 kg) from truck weight for 38"-41.99" straddle ID.

\*\*No change with sideshift option.

\*\*\*Add 2.24 (57 mm) for sideshift option.

# SX 3000-40 Model

# Specifications

			Imperial	Metric	
General Information	1	Manufacturer	Crown Equipment Corporation		
	2	Model	SX 3000-40		
		Mast Type	in mm		
	3	Power	TT-192	TT-4899	
	4	Operator Type		Electric Walkie	
	5	Load Capacity	Max	lb kg	
	6	Load Center		in mm	
	7	Wheelbase		in mm	
8	Weight Less Battery*	Auxiliary	lb kg	2886 1309	
		No Auxiliary	lb kg	2761 1252	
Tires	13	Wheel Size Front (d x w)	Vulkollan	in mm	
			Rubber	in mm	
	14	Wheel Size Rear (d x w)	Vulkollan	in mm	
	15	Additional Wheels Caster Wheel (d x w)	Poly	in mm	
16	Wheels Number (x=driven)	Front/Rear	1x/2		
17	Track Width	Rear	in mm		
18	Lift Height		in mm		
18a	Capacity at Lift Height**	24" (610 mm) Load Ctr.	lb kg	2000 907	
		16" (406 mm) Load Ctr.	lb kg	2000 907	
19	Free Lift	w/o Load Backrest	in mm	61.6 1565	
20	Collapsed Height		in mm	83.9 2130	
21	Extended Height	w/o Load Backrest	in mm	Lift Height + 21.8	
		w/Load Backrest	in mm	Lift Height + 47.3	
22	Load Backrest Size		in mm	47.3Hx32.7W 1202Hx832W	
23	Tiller Arm Ht in Drive Pos.	Min/Max	in mm	31.1/47.5 790/1206	
24	Outrigger Height		in mm	3.97 101	
25	Lowered Fork Height		in mm	2 51	
27	Power Unit Height		in mm	32.28 820	
28	Fork Lengths		in mm	36/42/48 914/1067/1219	
29	Fork Dimensions	Thickness x Width	in mm	1.75x4 44.5x102	
30	Width Across Forks	Adjustable Min/Max	in mm	10-30.93 254-785	
31	Headlength***		in mm	36.27 921	
32	Overall Length		Headlength + Fork Length		
33	Inside Straddle		in mm	42-50 1067-1270	
34	Overall Width	Front	in mm	28.03 712	
		Rear	in mm	Inside Straddle + 7.87 Inside Straddle + 200	
35	Fork Carriage Width		in mm	31.89 810	
36	Ground Clearance	w/Load below Mast	in mm	1.61 41	
		Center Wheelbase	in mm	1.61 41	
37	Turning Radius		in mm	61.99 1575	
38	Length with Outriggers		in mm	67.55 1716	
Performance	40	Travel Speed	w/wo Load	mph (km/h)	
	41	Lift Speed	w/wo Load	fpm (m/s)	
	42	Lowering Speed 1	w/wo Load	fpm (m/s)	5.02/5.79
			w/wo Load	fpm (m/s)	23.62/39.37 0.12/0.20
		Lowering Speed 2	w/wo Load	fpm (m/s)	59.06/39.37 0.30/0.20
		w/wo Load	fpm (m/s)	13.78/5.91 0.07/0.03	
43	Gradeability	w/wo Load, 60 min Rating	%	2.1/4.7	
		w/wo Load, 30 min Rating	%	3.6/7.9	
44	Max Gradeability	w/wo Load, 5 min Rating	%	7.8/17.5	
45	Service Brake			Electric	
Battery	46	Maximum Battery Box	L x W x H	in mm	
	47	Battery Voltage (Nominal Capacity 6 Hour Rating)	4x 6v MF	V/Ah	
			300 Industrial	V/Ah	
	48	Type of Controller	Drive		Transistor
	49	Battery Weight	4x 6v MF	lb kg	313 142
300 amp hour Industrial			lb kg	360-710 163-322	
50	Internal Charger		V/amp	120/30	

\* Deduct 66 lbs (30 kg) from truck weight for 38"-41.99" straddle ID.

\*\*No change with sideshift option.

\*\*\*Add 2.24 (57 mm) for sideshift option.

## SX 3000 Series

## Technical Information

### Standard Equipment

- 24-volt fused electrical system
- MOSFET transistorized traction control system
- Separately excited drive motor (SEM)
- X10® Handle
- Maintenance-free battery pack, four 6-volt batteries at 195 amp hour
- 30 amp fully automatic charger
- Electric brake
- Brake override
- Anti-roll down
- Regenerative motor braking
- Heavy-duty drive unit
- Drive unit enclosed in high ductile strength steel frame
- Stamped steel power unit cover
- Safety reversing button
- 175-amp connector with disconnect handle
- Color-coded wiring
- High speed cut-out at lift height
- Two pre-programmed performance levels
- 10" x 3.35" wide (254 x 85 mm) Vulkollan drive tire
- Vulkollan load wheels 4" x 3" wide (SX 3000-30) (102 x 76 mm)
- 3.35" x 2.9" wide (SX 3000-40) (85 x 74 mm)
- Adjustable outriggers
- Battery compartment storage tray
- Plexiglass mast guard
- One-speed lift, two-speed lower – soft start hydraulics
- Horn
- Key switch
- Discharge indicator with hour meter and lift lockout
- Hydraulic thermal protection switch

### Optional Equipment

- Rubber drive tire
- Non-marking rubber drive tire
- Diamond siped rubber drive tire
- Spring loaded poly casters
- Handset analyzer for calibration or fault analyzing
- 48" (1219 mm) high load backrest

- Freezer/corrosion conditioning
- Keyless on/off toggle switch in lieu of key switch
- Wire mesh mast guard
- Sideshift 4" (102 mm) each way
- Work Assist® Accessories:
  - Clip pad and hook
  - Operator fan
  - Storage pocket
  - Remote raise/lower control\*
- Work Assist® Options:
  - Work platform\* (37.5" W x 26" L) (953 x 660 mm)
    - Platform options:
      - Work lights
      - Operator fan
      - Clip pad and hook
      - Adjustable load tray
      - Remote raise/lower control
      - Casters

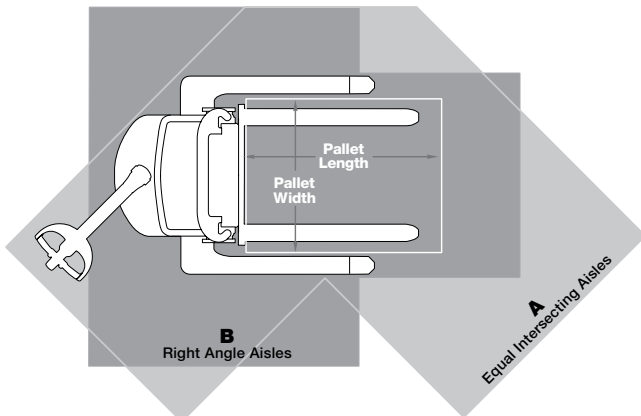
\* SX 3000-30 only

### Battery and Charger

Battery options are as follows:

- Maintenance-free battery pack, four 6-volt batteries at 195 amp hour
- Industrial battery - The 9.1" (231 mm) battery compartment will accept an industrial storage battery up to 300 amp hour capacity.

A built-in 30-amp charger is standard with the battery pack. This premium fan-cooled, solid-state charger is durable and efficient. It has an advanced memory feature to allow for opportunity charging. The charger can be set for either maintenance free, wet cell or industrial batteries. An extension cord is included with any truck equipped with the built-in battery charger.



## SX 3000 Series

## Aisle Planning Guide

### SX 3000-30 – Right Angle and Intersecting Aisle

Pallet Width	Pallet Length in (mm)										
	30 (762)		36 (915)		40 (1016)		42 (1067)		48 (1220)		
	A	B	A	B	A	B	A	B	A	B	
36 915	in mm	61.2 1554	67.1 1704	61.2 1554	67.1 1704	61.2 1554	67.1 1704	61.2 1554	67.1 1704	61.2 1554	67.8 1722
40 1016	in mm	64.5 1638	68.1 1730	64.5 1638	68.1 1730	64.5 1638	68.1 1730	64.5 1638	68.1 1730	64.5 1638	68.1 1730
42 1067	in mm	66.1 1680	68.6 1743	66.1 1680	68.6 1743	66.1 1680	68.6 1743	66.1 1680	68.6 1743	66.1 1680	68.6 1743
48 1220	in mm	71.1 1807	72.9 1851	71.1 1807	72.9 1851	71.1 1807	72.9 1851	71.1 1807	72.9 1851	71.1 1807	72.9 1851

Add 6" (152 mm) to all aisle dimensions for maximum maneuverability.  
Add 2" (51 mm) if sideshift option is used.

### SX 3000-40 – Right Angle and Intersecting Aisle

Pallet Width	Pallet Length in (mm)										
	30 (762)		36 (915)		40 (1016)		42 (1067)		48 (1220)		
	A	B	A	B	A	B	A	B	A	B	
36 915	in mm	62.6 1591	69.3 1759	62.6 1591	69.3 1759	62.6 1591	69.3 1759	62.6 1591	69.3 1759	62.6 1591	69.3 1759
40 1016	in mm	65.9 1675	69.9 1767	65.9 1675	69.9 1767	65.9 1675	69.9 1767	65.9 1675	69.9 1767	65.9 1675	69.9 1767
42 1067	in mm	67.6 1717	70.1 1780	67.6 1717	70.1 1780	67.6 1717	70.1 1780	67.6 1717	70.1 1780	67.6 1717	70.1 1780
48 1220	in mm	72.6 1844	74.3 1888	72.6 1844	74.3 1888	72.6 1844	74.3 1888	72.6 1844	74.3 1888	72.6 1844	74.3 1888

Add 6" (152 mm) to all aisle dimensions for maximum maneuverability.  
Add 2" (51 mm) if sideshift option is used.

**Operator Controls**

Crown's robust X10® Handle places all controls in the optimum position for ease of operation with either hand and to minimize hand and wrist movements. An ergonomic forward/reverse thumb wheel allows for precise maneuvering.

The control hand grips are urethane covered for insulation from cold and vibration. Horn buttons are integrated into the control handle for easy activation. The handle contains a safety button which reverses the direction of the truck should the button touch the operator.

The physical efforts to hold the handle at a comfortable height was minimized to reduce fatigue, a distinct advantage. The operator is positioned to maximize the steer effort and maintain excellent visibility.

The rabbit/turtle switch incorporates two levels of programmable travel performance to match operator experience and application environment.

Exclusive brake override allows slow speed travel with the handle near vertical. This feature improves maneuverability in tight areas.

**Performance**

The SX 3000 Series benefits from Crown's design and engineering excellence.

The transistor control module works in conjunction with a new separately excited (SEM) drive motor to provide excellent acceleration and top travel speed loaded or empty. Transistor control is programmable for specific tasks or operator skill levels.

Smooth travel and lift combine with excellent controls to reduce product damage and increase productivity.

**Electrical System**

A heavy-duty 24-volt fused electrical system provides good travel and lift speeds.

Separately excited motor control eliminates directional contractors reducing maintenance and downtime.

The transistor control is sealed from dirt, dust and moisture for trouble-free operation. Transistor control features include over-temperature protection, polarity protection, self-test and visible diagnostics.

Regenerative motor braking is activated under a downhill condition, during plugging or when the directional control is returned to neutral. "Regen" reduces heat build-up and extends motor brush life.

An anti-roll down feature will apply the brakes if the truck rolls without a travel command.

175-amp battery connector with standard disconnect handle.

**Hydraulic System**

Heavy-duty hydraulic motor (3.0 kw) with integral pump and reservoir for maximum efficiency and durability.

Single-speed lift and two-speed lowering is available to the operator.

Cylinder rods are hard-plated chrome with polyurethane seals.

Relief valve tuned to capacity protects all components in the hydraulic system.

**Drive Unit and Brakes**

Heavy-duty gearbox with spur gears for low noise emission.

Drive unit is equipped with an electromagnetic disc brake that is spring applied and electrically released. Brake is activated by the control handle position. Brake rotor and disc are easily accessed for inspection and replacement. Regenerative motor braking assists brake effort and improves component life.

Drive unit mounts in truck frame with a permanently lubricated, twin-conical roller bearing that disperses load forces evenly, reducing maintenance and downtime.

**Mast**

High visibility two- and three-stage mast design features nested I-beams and canted rollers. Lift cylinders are positioned in outer I-beam profile for best visibility through the mast and clear view onto fork tips during load handling. Mast cushioning between stages ensures smooth operation. Heavy-duty mast and chain rollers are sealed and lubricated for life. Mast design allows for easy access to carriage rollers.

**Fork Carriage**

SX 3000 Series feature a standard 32" (813 mm) wide ITA Class II fork carriage. Forks are adjustable from 10" to 31" (254 to 787 mm). Standard fork lengths are 36", 42" and 48" (914, 1067 and 1219 mm).

**Serviceability**

One-piece steel power unit cover is removed easily for access to all major components.

Brake rotor and disc inspection and replacement are easy.

Drive motor brush access is excellent.

Color-coded wiring speeds troubleshooting and the transistor control module uses visible LED flashes for fault communication. Optional plug-in hand set analyzer for servicing and programming capability.

Control handle switch cap is easily removed to expose components.

**Wheels and Tires**

- Drive tire – Vulkollan 10" dia x 3.35" wide (254 x 85 mm)
- Load wheels – Vulkollan 4" dia x 3" wide (SX 3000-30) (102 x 76 mm) 3.35" dia x 2.9" wide tandem (85 x 74 mm) (SX 3000-40)
- Optional poly casters are 3.5" dia x 2" wide (89 x 51 mm)

**Other Options**

1. Audible travel alarm
2. Flashing lights

Safety considerations and dangers associated with audible travel alarms and flashing lights include:

- Multiple alarms and/or lights can cause confusion.
- Workers ignore the alarms and/or lights after day-in and day-out exposure.
- Operator may transfer the responsibility for "looking out" to the pedestrians.
- Annoys operators and pedestrians.

**Other Options Available**

Contact your local Crown dealer.

*Dimensions and performance data given may vary due to manufacturing tolerances. Performance is based on an average size vehicle and is affected by weight, condition of truck, how it is equipped and the conditions of the operating area. Crown products and specifications are subject to change without notice.*



**Crown Equipment Corporation**

New Bremen, Ohio 45869 USA  
**Tel** 419-629-2311  
**Fax** 419-629-3796  
 crown.com

**You can count on Crown to build lift trucks designed for safe operation, but that's only part of the safety equation. Crown encourages safe operating practices through ongoing operator training, safety-focused supervision, maintenance and a safe working environment. Go to crown.com and view our safety section to learn more.**

Because Crown is continually improving its products, specifications are subject to change without notice.

Crown, the Crown logo, the color beige, the Momentum symbol, Work Assist and X10 are trademarks of Crown Equipment Corporation.

Copyright 2004-2018 Crown Equipment Corporation SF19054 Rev. 02-18 Printed in U.S.A.