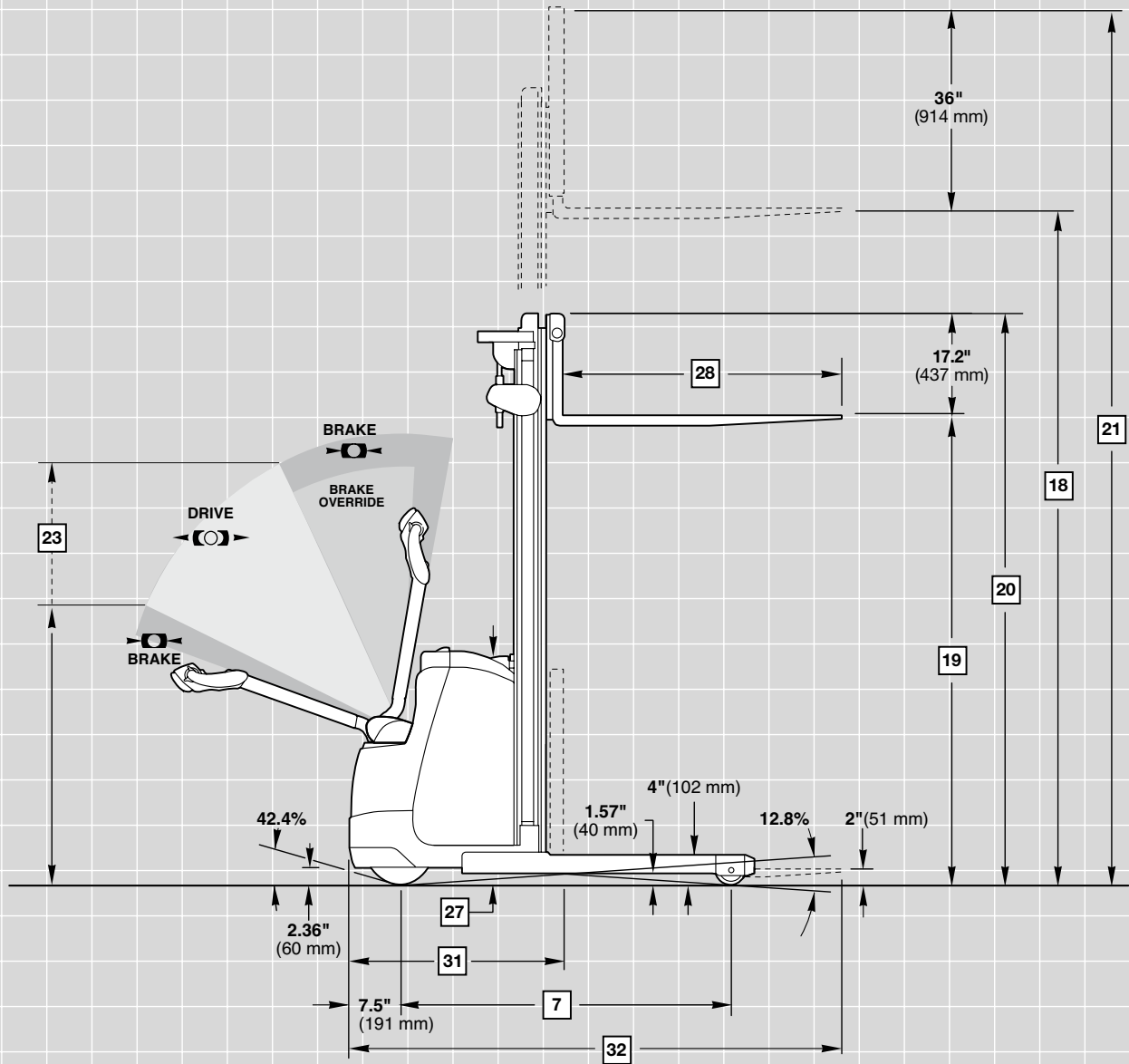
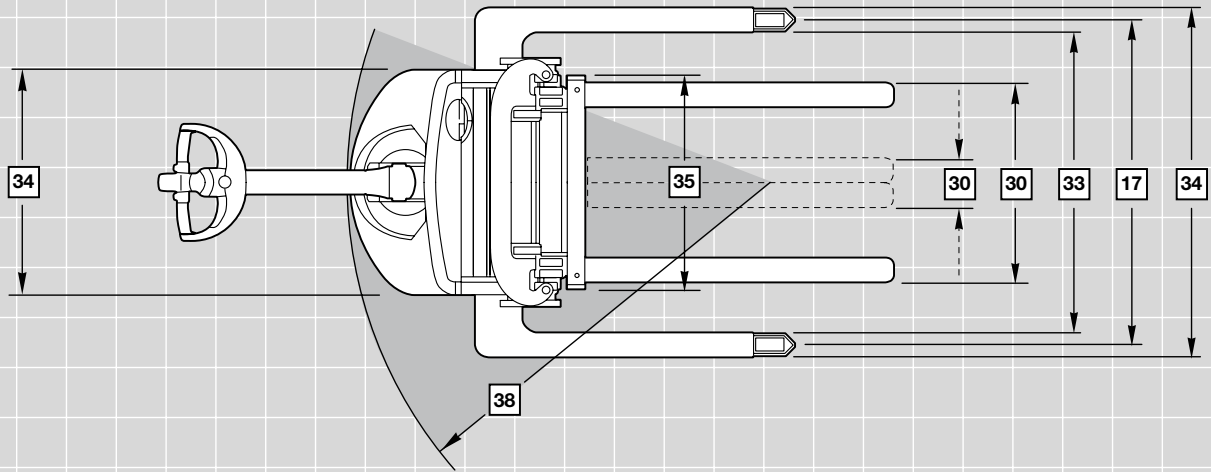


**CROWN**

# ST 3000 SERIES

**Specifications**  
Stackers





# ST 3000 Series

# Specifications

				imperial	metric	
General Information	1	Manufacturer		Crown Equipment Corporation		
	2	Model		ST 3000-25		
		Mast Type	in mm	TL-128	TL-3236	
	3	Power		Electric		
	4	Operator Type		Walkie		
	5	Load Capacity	Max lb kg	2500	1134	
	6	Load Center	in mm	24	600	
	7	Wheelbase	in mm	49	1255	
Tires	8	Weight Less Battery	lb kg	1856	842	
	13	Wheel Size Front (d x w)	Vulkollan	in mm	10 x 3.35	254 x 85
			Rubber	in mm	10 x 4	254 x 100
	14	Wheel Size Rear (d x w)	Vulkollan	in mm	4 x 2	102 x 50
			Steel	in mm	4 x 2	102 x 50
	15	Additional Wheels Caster Wheel (d x w)	Poly in mm	3.54 x 2	90 x 50	
	16	Wheels Number (x=driven)	Front/Rear	1x /2		
	17	Track Width	Rear in mm	Inside Straddle + 3	Inside Straddle + 76	
	18	Lift Height	in mm	127.4	3236	
	Dimensions	18a	Capacity at Lift Height	24" (600 mm) Load Center	lb kg	2500
26" (660 mm) Load Center				lb kg	2300	1043
28" (711 mm) Load Center				lb kg	2130	966
30" (762 mm) Load Center				lb kg	1980	898
19		Free Lift	w/o Load Backrest in mm	6	152	
20		Collapsed Height	in mm	83	2108	
21		Extended Height	w/o Load Backrest	in mm	Lift Height + 17.2	Lift Height + 436
			w/Load Backrest	in mm	Lift Height + 36	Lift Height + 914
22		Load Backrest Width	Load Backrest Height 36" (914) High in mm	36/42/48	914/1067/1219	
23		Tiller Arm Ht in Drive Position	Min/Max in mm	31.1/47.5	790/1206	
24		Outrigger Height	in mm	4	100	
25		Lowered Fork Height	in mm	2	51	
27		Power Unit Height	in mm	32.28	820	
28		Fork Lengths	in mm	36/42/48	914/1067/1219	
29		Fork Dimensions	Thickness x Width in mm	1.5 x 3	38 x 76	
30		Width Across Forks	Adjustable Min/Max in mm	6.57 - 24.8	167-630	
31		Headlength	in mm	32.24	819	
32		Overall Length		Headlength + Fork Length		
33	Inside Straddle	in mm	38-50	965-1270		
34	Overall Width	Front	in mm	28.03	712	
		Rear	in mm	Inside Straddle + 6.4	Inside Straddle + 162	
35	Fork Carriage Width	in mm	26.57	675		
36	Ground Clearance	w/Load below Mast	in mm)	1.57	40	
		Center Wheelbase	in mm	1.57	40	
38	Turning Radius	in mm	56.73	1446		
Performance	39	Length w/Outriggers	in mm	60.28	1536	
	40	Travel Speed	w/wo Load mph km/h	3.11/3.42	5.0/5.5	
	41	Lift Speed	w/wo Load fpm m/s	21.65/35.43	.12/.18	
	42	Lowering Speed 1	w/wo Load	fpm m/s	51.18/49.21	.26/.25
			w/wo Load	fpm m/s	19.69/11.81	.10/.06
	43	Gradeability	w/wo Load, 60 min Rating	%	2.4	4.5
			w/wo Load, 30 min Rating	%	4.9	9.1
	44	Max Gradeability	w/wo Load, 5 min Rating	%	8.4	15.7
	45	Service Brake		Electric		
	Battery	46	Maximum Battery Box	LxWxH in mm	7.28 x 25.55 x 24.13 (w/No Clearance)	185 x 649 x 613 (w/No Clearance)
47		Battery Voltage (Nominal Capacity 6 Hour Rating)	4x Automotive Starter	V/Ah	24	87
			2x 12v MF	V/Ah	24	95
			4x Semi-industrial	V/Ah	24	156
			4x 6v MF	V/Ah	24	195
48		Type of Controller	Drive	Transistor		
49		Battery Weight	4x Automotive Starter	lb kg	128	58
	2x 12v MF		lb kg	132	60	
	4x Semi-industrial		lb kg	220	100	
	4x 6v MF		lb kg	267	121	

English conversions are approximations. Metric conversions should be done to find true values.

# ST 3000 Series

# Specifications

			<i>imperial</i>	<i>metric</i>	
General Information	1	Manufacturer	Crown Equipment Corporation		
	2	Model	ST 3000-25		
		Mast Type	TT-154	TT-3912	
	3	Power	Electric		
	4	Operator Type	Walkie		
	5	Load Capacity	Max	lb kg	2500 1134
	6	Load Center		in mm	24 600
	7	Wheelbase		in mm	49 1255
8	Weight Less Battery		lb kg	2048 929	
Tires	13	Wheel Size Front (d x w)	Vulkollan	in mm	10 x 3.35 254 x 85
			Rubber	in mm	10 x 4 254 x 100
	14	Wheel Size Rear (d x w)	Vulkollan	in mm	4 x 2 102 x 50
			Steel	in mm	4 x 2 102 x 50
	15	Additional Wheels Caster Wheel (d x w)	Poly	in mm	3.54 x 2 90 x 50
16	Wheels Number (x=driven)	Front/Rear		1x/2	
Dimensions	17	Track Width	Rear	in mm	Inside Straddle + 3 Inside Straddle + 76
	18	Lift Height		in mm	154 3912
	18a	Capacity at Lift Height	24" (600 mm) Load Center	lb kg	2500 1134
			26" (660 mm) Load Center	lb kg	2300 1043
			28" (711 mm) Load Center	lb kg	2130 966
			30" (762 mm) Load Center	lb kg	1980 898
	19	Free Lift	w/o Load Backrest	in mm	56 1422
	20	Collapsed Height		in mm	73 1858
	21	Extended Height	w/o Load Backrest	in mm	Lift Height + 17.2 Lift Height + 436
			w/Load Backrest	in mm	Lift Height + 36 Lift Height + 914
	22	Load Backrest Width	Load Backrest Height 36" (914) High	in mm	36/42/48 914/1067/1219
	23	Tiller Arm Ht in Drive Position	Min/Max	in mm	31.1/47.5 790/1206
	24	Outrigger Height		in mm	4 100
	25	Lowered Fork Height		in mm	2 51
	27	Power Unit Height		in mm	32.28 820
	28	Fork Lengths		in mm	36/42/48 914/1067/1219
	29	Fork Dimensions	Thickness x Width	in mm	1.5 x 3 38 x 76
	30	Width Across Forks	Adjustable Min/Max	in mm	6.57 - 24.8 167-630
	31	Headlength		in mm	32.95 837
	32	Overall Length			Headlength + Fork Length
	33	Inside Straddle		in mm	38-50 965-1270
	34	Overall Width	Front	in mm	28.03 712
			Rear	in mm	Inside Straddle + 6.4 Inside Straddle + 162
	35	Fork Carriage Width		in mm	26.57 675
	36	Ground Clearance	w/Load below Mast	in mm)	1.57 40
	37		Center Wheelbase	in mm	1.57 40
	38	Turning Radius		in mm	56.73 1446
Performance	39	Length w/Outriggers		in mm	60.28 1536
	40	Travel Speed	w/wo Load	mph km/h	3.11/3.42 5.0/5.5
	41	Lift Speed	w/wo Load	fpm m/s	21.65/35.43 .12/.18
	42	Lowering Speed 1	w/wo Load	fpm m/s	51.18/49.21 .26/.25
			w/wo Load	fpm m/s	19.69/11.81 .10/.06
	43	Gradeability	w/wo Load, 60 min Rating	%	2.4 4.5
			w/wo Load, 30 min Rating	%	4.9 9.1
	44	Max Gradeability	w/wo Load, 5 min Rating	%	8.4 15.7
	45	Service Brake			Electric
	Battery	46	Maximum Battery Box	LxWxH	in mm
47		Battery Voltage (Nominal Capacity 6 Hour Rating)	4x Automotive Starter	V/Ah	24 87
			2x 12v MF	V/Ah	24 95
			4x Semi-industrial	V/Ah	24 156
			4x 6v MF	V/Ah	24 195
48		Type of Controller	Drive		Transistor
49	Battery Weight	4x Automotive Starter	lb kg	128 58	
		2x 12v MF	lb kg	132 60	
		4x Semi-industrial	lb kg	220 100	
		4x 6v MF	lb kg	267 121	

English conversions are approximations. Metric conversions should be done to find true values.

# ST 3000 Series

# Specifications

				imperial	metric	
General Information	1	Manufacturer		Crown Equipment Corporation		
	2	Model		ST 3000-25		
		Mast Type	in mm	TT-168	TT-4267	
	3	Power		Electric		
	4	Operator Type		Walkie		
	5	Load Capacity	Max lb kg	2500	1134	
	6	Load Center	in mm	24	600	
	7	Wheelbase	in mm	49	1255	
Tires	8	Weight Less Battery	lb kg	2048	929	
	13	Wheel Size Front (d x w)	Vulkollan	in mm	10 x 3.35	254 x 85
			Rubber	in mm	10 x 4	254 x 100
	14	Wheel Size Rear (d x w)	Vulkollan	in mm	4 x 2	102 x 50
			Steel	in mm	4 x 2	102 x 50
	15	Additional Wheels Caster Wheel (d x w)	Poly	in mm	3.54 x 2	90x50
16	Wheels Number (x=driven)	Front/Rear		1 x /2		
Dimensions	17	Track Width	Rear	in mm	Inside Straddle + 3	Inside Straddle + 76
	18	Lift Height		in mm	168	4267
	18a	Capacity at Lift Height	24" (600 mm) Load Center	lb kg	2500	1134
			26" (660 mm) Load Center	lb kg	2300	1043
			28" (711 mm) Load Center	lb kg	2130	966
			30" (762 mm) Load Center	lb kg	1980	898
	19	Free Lift	w/o Load Backrest	in mm	56	1422
	20	Collapsed Height		in mm	73	1858
	21	Extended Height	w/o Load Backrest	in mm	Lift Height + 17.2	Lift Height + 436
			w/Load Backrest	in mm	Lift Height + 36	Lift Height + 914
	22	Load Backrest Width	Load Backrest Height 36" (914) High	in mm	36/42/48	914/1067/1219
	23	Tiller Arm Ht in Drive Position	Min/Max	in mm	31.1/47.5	790/1206
	24	Outrigger Height		in mm	4	100
	25	Lowered Fork Height		in mm	2	51
	27	Power Unit Height		in mm	32.28	820
	28	Fork Lengths		in mm	36/42/48	914/1067/1219
	29	Fork Dimensions	Thickness x Width	in mm	1.5 x 3	38 x 76
	30	Width Across Forks	Adjustable Min/Max	in mm	6.57 - 24.8	167-630
	31	Headlength		in mm	32.95	837
	32	Overall Length			Headlength + Fork Length	
	33	Inside Straddle		in mm	38-50	965-1270
	34	Overall Width	Front	in mm	28.03	712
			Rear	in mm	Inside Straddle + 6.4	Inside Straddle + 162
	35	Fork Carriage Width		in mm	26.57	675
	36	Ground Clearance	w/Load below Mast	in mm)	1.57	40
	37	Ground Clearance	Center Wheelbase	in mm	1.57	40
	38	Turning Radius		in mm	56.73	1446
	Performance	39	Length w/Outriggers		in mm	60.28
40		Travel Speed	w/wo Load	mph km/h	3.11/3.42	5.0/5.5
41		Lift Speed	w/wo Load	fpm m/s	21.65/35.43	.12/.18
42		Lowering Speed 1	w/wo Load	fpm m/s	51.18/49.21	.26/.25
			Lowering Speed 2	w/wo Load	fpm m/s	19.69/11.81
43		Gradeability	w/wo Load, 60 min Rating	%	2.4	4.5
			w/wo Load, 30 min Rating	%	4.9	9.1
44		Max Gradeability	w/wo Load, 5 min Rating	%	8.4	15.7
45	Service Brake			Electric		
Battery	46	Maximum Battery Box	LxWxH	in mm	7.28 x 25.55 x 24.13 (w/No Clearance)	185 x 649 x 613 (w/No Clearance)
	47	Battery Voltage (Nominal Capacity 6 Hour Rating)	4x Automotive Starter	V/Ah	24	87
			2x 12v MF	V/Ah	24	95
			4x Semi-industrial	V/Ah	24	156
			4x 6v MF	V/Ah	24	195
	48	Type of Controller	Drive		Transistor	
	49	Battery Weight	4x Automotive Starter	lb kg	128	58
2x 12v MF			lb kg	132	60	
4x Semi-industrial			lb kg	220	100	
4x 6v MF			lb kg	267	121	

English conversions are approximations. Metric conversions should be done to find true values.

## ST 3000 Series

## Technical Information

### Standard Equipment

- 24-volt fused electrical system
- MOSFET transistorized traction control system
- Separately excited drive motor (SEM)
- X10<sup>®</sup> Handle
- Wet-cell starter battery pack, four 6-volt batteries at 87 amp hour
- 30 amp fully automatic charger
- Electric brake
- Brake override
- Anti-roll down
- Regenerative motor braking
- Heavy-duty drive unit
- Drive unit enclosed in high ductile strength steel frame
- Stamped steel power unit cover
- Safety reversing button
- 175-amp connector with disconnect handle
- Color-coded wiring
- High speed cut-out at lift height
- Two pre-programmed performance levels
- 10" x 3.35" wide (254 x 85 mm) Vulkollan drive tire
- Vulkollan load wheels 4" x 2" wide (102 x 51 mm)
- Adjustable outriggers
- Battery compartment storage tray
- Plexiglass mast guard
- Horn
- Key switch
- Discharge indicator with hour meter and lift lockout

### Optional Equipment

- Rubber drive tire
- Non-marking rubber drive tire
- Diamond siped rubber drive tire
- Spring loaded poly casters
- Handset analyzer for calibration or fault analyzing
- 36" (915 mm) high load backrest

- Maintenance-free, semi-industrial or starter battery package
- Keyless on/off toggle switch in lieu of key switch
- Steel load wheels
- Wire mesh mast guard
- Soft start hydraulic control
- Work Assist<sup>®</sup> Accessories:
  - Clip pad and hook
  - Operator fan
  - Storage pocket
  - Remote raise/lower control
- Work Assist<sup>®</sup> Options:
  - Work platform (37.5" W x 26" L) (953 x 660 mm)
    - Platform options:
      - Work lights
      - Operator fan
      - Clip pad and hook
      - Adjustable load tray
      - Remote raise/lower control
      - Casters
    - Snap-on platform

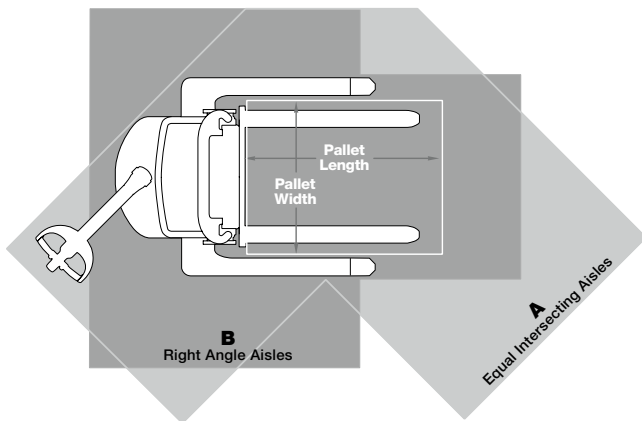
### Battery and Charger

Battery package options are as follows:

- Maintenance-free battery pack, two 12-volt batteries at 95 amp hour
- four 6-volt batteries at 195 amp hour
- Semi-industrial deep cycle battery pack, four 6-volt batteries at 156 amp hour
- Wet-cell starter battery pack, four 6-volt batteries at 87 amp hour

Flooded battery packs have a slide-out feature to check water level of bottom batteries.

A built-in 30-amp charger is standard with all battery packs. This premium fan-cooled, solid-state charger is durable and efficient. It has an advanced memory feature to allow for opportunity charging. The charger can be set for either maintenance free, wet cell or industrial batteries. An extension cord is included with any truck equipped with the built-in battery charger.



## ST 3000 Series

## Aisle Planning Guide

ST 3000 – Right Angle and Intersecting Aisle

Pallet Width	Pallet Length in (mm)										
	30 (762)		36 (915)		40 (1016)		42 (1067)		48 (1220)		
	A	B	A	B	A	B	A	B	A	B	
36 915	in	57.6	62.9	57.6	62.9	57.6	62.9	57.6	62.9	57.6	68.4
	mm	1463	1599	1463	1599	1463	1599	1463	1599	1463	1738
40 1016	in	60.9	64.0	60.9	64.0	60.9	64.0	60.9	64.0	60.9	68.6
	mm	1546	1625	1546	1625	1546	1625	1546	1625	1546	1625
42 1067	in	62.5	64.5	62.5	64.5	62.5	64.5	62.5	64.5	62.5	68.7
	mm	1588	1638	1588	1638	1588	1638	1588	1638	1588	1746
48 1220	in	67.5	69.0	67.5	69.0	67.5	69.0	67.5	69.0	67.5	72.0
	mm	1715	1752	1715	1752	1715	1752	1715	1752	1715	1829

Add 6" (152 mm) to all aisle dimensions for maximum maneuverability.

**Operator Controls**

Crown's robust X10<sup>®</sup> Handle places all controls in the optimum position for ease of operation with either hand and to minimize hand and wrist movements. An ergonomic forward/reverse thumb wheel allows for precise maneuvering.

The control hand grips are urethane covered for insulation from cold and vibration. Horn buttons are integrated into the control handle for easy activation. The handle contains a safety button which reverses the direction of the truck should the button touch the operator.

The physical efforts to hold the handle at a comfortable height was minimized to reduce fatigue, a distinct advantage. The operator is positioned to maximize the steer effort and maintain excellent visibility.

The rabbit/turtle switch incorporates two levels of programmable travel performance to match operator experience and application environment.

Exclusive brake override allows slow speed travel with the handle near vertical. This feature improves maneuverability in tight areas.

**Performance**

The ST 3000 Series benefits from Crown's design and engineering excellence.

The transistor control module works in conjunction with a new separately excited (SEM) drive motor to provide excellent acceleration and top travel speed loaded or empty. Transistor control is programmable for specific tasks or operator skill levels.

Smooth travel and lift combine with excellent controls to reduce product damage and increase productivity.

**Electrical System**

A heavy-duty 24-volt fused electrical system provides good travel and lift speeds.

Separately excited motor control eliminates directional contractors reducing maintenance and downtime.

The transistor control is sealed from dirt, dust and moisture for trouble-free operation. Transistor control features include over-temperature protection, polarity protection, self-test and visible diagnostics.

Regenerative motor braking is activated under a downhill condition, during plugging or when the directional control is returned to neutral. "Regen" reduces heat build-up and extends motor brush life.

An anti-roll down feature will apply the brakes if the truck rolls without a travel command.

175-amp battery connector with standard disconnect handle.

**Hydraulic System**

Heavy-duty hydraulic motor (3.0 kw) with integral pump and reservoir for maximum efficiency and durability.

Single-speed lift and two-speed lowering is available to the operator.

Cylinder rods are hard-plated chrome with polyurethane seals.

Relief valve tuned to capacity protects all components in the hydraulic system.

**Drive Unit and Brakes**

Heavy-duty gearbox with spur gears for low noise emission.

Drive unit is equipped with an electromagnetic disc brake that is spring applied and electrically released. Brake is activated by the control handle position. Brake rotor and disc are easily accessed for inspection and

replacement. Regenerative motor braking assists brake effort and improves component life.

Drive unit mounts in truck frame with a permanently lubricated, twin-conical roller bearing that disperses load forces evenly, reducing maintenance and downtime.

**Mast**

High visibility two- and three-stage mast design features nested I-beams and canted rollers. Lift cylinders are positioned in outer I-beam profile for best visibility through the mast and clear view onto fork tips during load handling. Mast cushioning between stages ensures smooth operation. Heavy-duty mast and chain rollers are sealed and lubricated for life. Mast design allows for easy access to carriage rollers.

**Fork Carriage**

ST 3000 Series feature 25" (635 mm) wide pin-type fork carriage. Forks are adjustable from 6.5" to 24.8" (165 to 630 mm). Standard fork lengths are 36", 42" and 48" (914, 1067 and 1219 mm).

**Serviceability**

One-piece steel power unit cover is removed easily for access to all major components.

Brake rotor and disc inspection and replacement are easy.

Drive motor brush access is excellent.

Color-coded wiring speeds troubleshooting and the transistor control module uses visible LED flashes for fault communication. Optional plug-in hand set analyzer for servicing and programming capability.

Control handle switch cap is easily removed to expose components.

**Wheels and Tires**

- Drive tire – Vulkollan 10" dia x 3.35" wide (254 x 85 mm)
- Load wheels – Vulkollan 4" dia x 2" wide (ST) (102 x 51 mm)
- Optional poly casters are 3.5" dia x 2" wide (89 x 51 mm)

**Other Options**

1. Audible travel alarm
2. Flashing lights

Safety considerations and dangers associated with audible travel alarms and flashing lights include:

- Multiple alarms and/or lights can cause confusion.
- Workers ignore the alarms and/or lights after day-in and day-out exposure.
- Operator may transfer the responsibility for "looking out" to the pedestrians.
- Annoys operators and pedestrians.

**Other Options Available**

Contact your local Crown dealer.

Dimensions and performance data given may vary due to manufacturing tolerances. Performance is based on an average size vehicle and is affected by weight, condition of truck, how it is equipped and the conditions of the operating area. Crown products and specifications are subject to change without notice.



**Crown Equipment Corporation**  
New Bremen, Ohio 45869 USA  
**Tel** 419-629-2311  
**Fax** 419-629-3796  
[crown.com](http://crown.com)

**You can count on Crown to build lift trucks designed for safe operation, but that's only part of the safety equation. Crown encourages safe operating practices through ongoing operator training, safety-focused supervision, maintenance and a safe working environment. Go to [crown.com](http://crown.com) and view our safety section to learn more.**

Because Crown is continually improving its products, specifications are subject to change without notice.

Crown, the Crown logo, the color beige, the Momentum symbol, Work Assist and X10 are trademarks of Crown Equipment Corporation.

Copyright 2004-2014 Crown Equipment Corporation  
SF14388 Rev. 02-14  
Printed in U.S.A.