

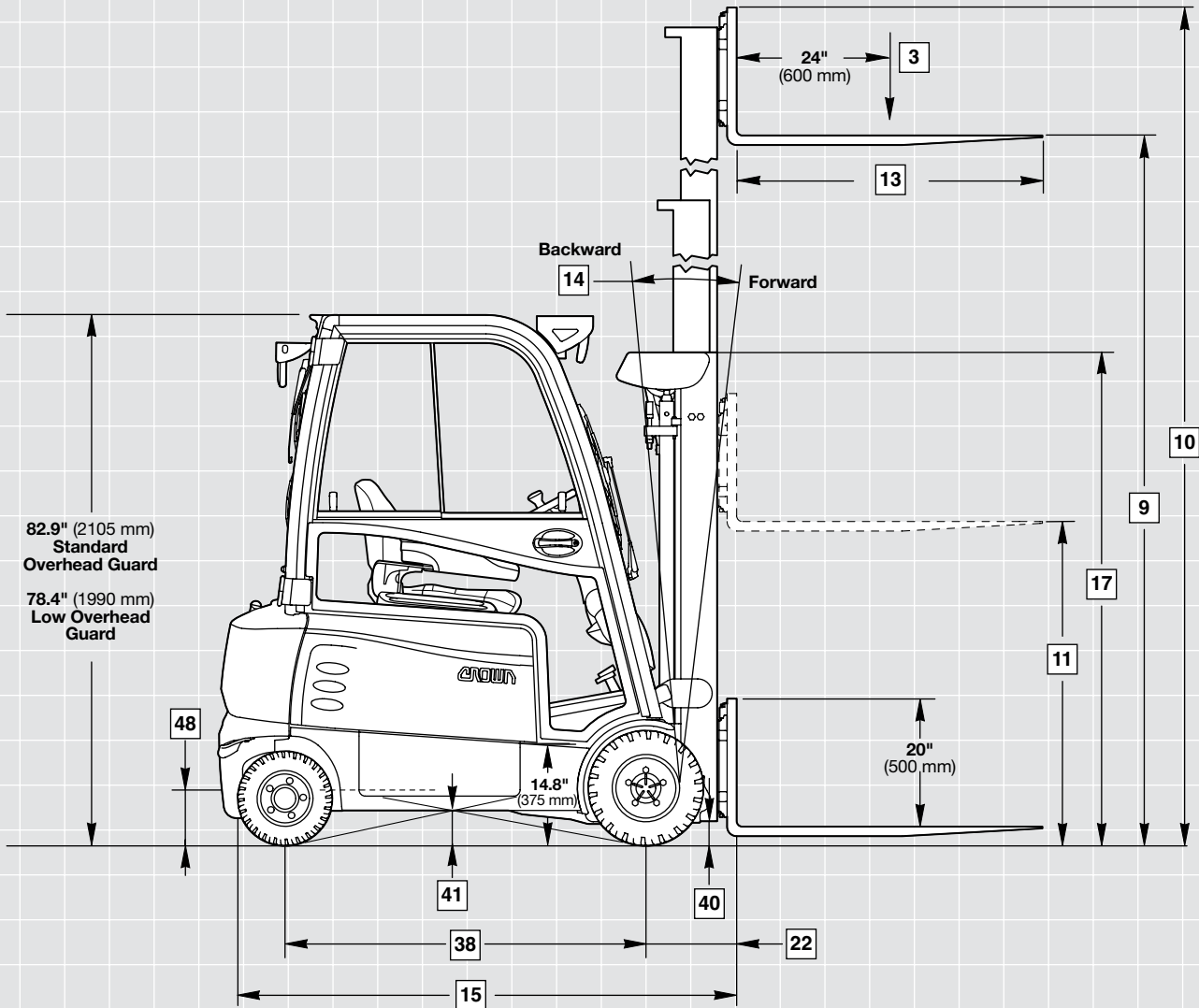
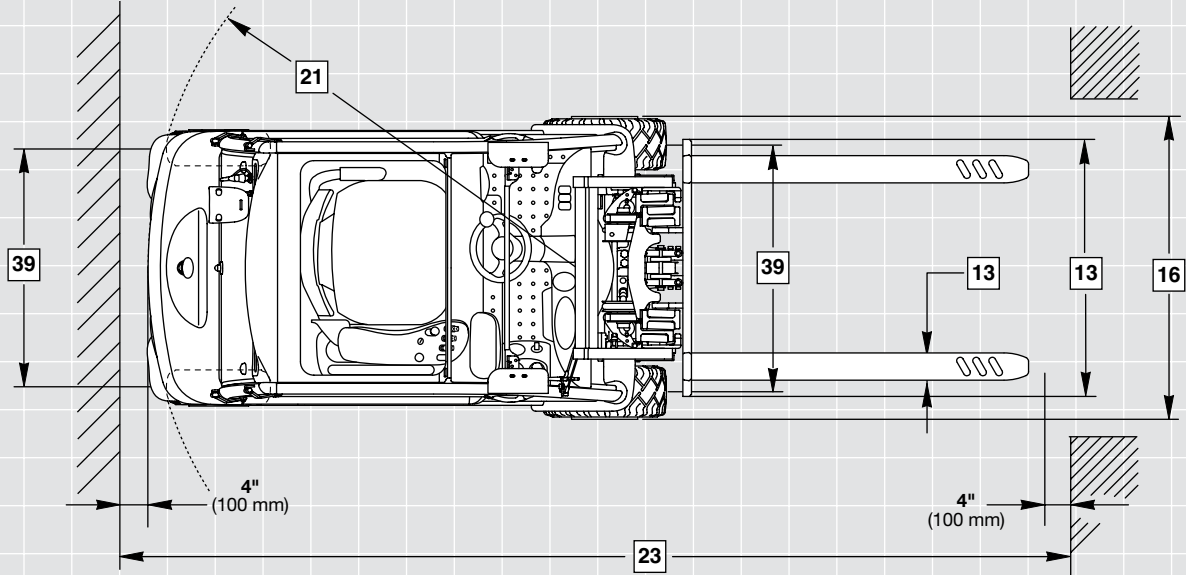
CROWN

SC 6000 SERIES

Specifications

Four Wheel
Counterbalance Truck





SC 6000 Series

Specifications

			<i>Imperial</i>	<i>Metric</i>	<i>Imperial</i>	<i>Metric</i>			
General Information	1	Manufacturer	Crown Equipment Corporation						
	2	Model	SCF 604X		SCF 604X				
			1.6		1.8				
	3	Load Capacity	lb kg	3525	1600	3965	1800		
	4	Load Center	in mm	24	600	24	600		
	5	Power	Electric	Battery					
	6	Operator Type		Sit-down Rider Counterbalanced					
	7	Tire Type		Super Elastic / SE					
Dimensions	8	Wheels (x = driven)	Number Front/Rear	2x/2					
	9	Lift Height		See Table 1					
	10	Mast	Extended Height	See Table 1					
	11	Free Lift	w/wo Load Backrest	See Table 1					
	12	Fork Carriage	ISO/FEM	2A					
	13	Fork Carriage Width	w/wo Load Backrest	in mm	39 / 38	990 / 965	39 / 38	990 / 965	
			Thickness/Width	in mm	1.5 / 4	38 / 100	1.75 / 4	45 / 100	
		Fork Dimension	Standard/Options	in mm	39 / 30, 31.5, 32, 36, 42, 45, 48, 54, 60, 63, 72	990 / 760, 800, 815, 915, 1065, 1145, 1220, 1370, 1525, 1600, 1825	39 / 30, 31.5, 32, 36, 42, 45, 48, 54, 60, 63, 72	990 / 760, 800, 815, 915, 1065, 1145, 1220, 1370, 1525, 1600, 1825	
	14	Mast Tilt	Forward/Backward	degree	See Table 1				
	15	Headlength*		in mm	80.9	2055	81.2	2062	
	16	Overall Width		in mm	42.1	1070	44.4	1129	
	17	Mast	Collapsed Height	in mm	See Table 1				
	21	Turning Radius		in mm	67.3	1709	67.3	1709	
	22	Load Distance*		in mm	14.2	360	14.4	366	
	23	Working Aisle Width	Minimum	in mm	See Table 2				
	Speed	24	Travel Speed**	w/wo Load	mph km/h	9.94 / 9.94	16 / 16	9.94 / 9.94	16 / 16
		25	Lift Speed	w/wo Load	ft/s m/s	1.80 / 1.84	0.55 / 0.56	1.71 / 1.84	0.52 / 0.56
26		Lower Speed	w/wo Load	ft/s m/s	1.64 / 1.64	0.50 / 0.50	1.64 / 1.64	0.50 / 0.50	
Weight	32	Weight	Less Battery	lb kg	6028	2734	6048	2743	
	33	Axle Load	w Load Front/Rear	lb kg	9519 / 1828	4317 / 829	10300 / 1510	4671 / 685	
			w/o Load Front/Rear	lb kg	3639 / 4181	1650 / 1896	3668 / 4173	1663 / 1893	
	35	Tires	Number Front/Rear		2 / 2				
			Front		18 x 7-8	18 x 7-8	200 / 50-10	200 / 50-10	
			Rear		140 / 55-9	140 / 55-9	140 / 55-9	140 / 55-9	
	38	Wheelbase		in mm	56.7	1439	56.7	1439	
Chassis	39	Track Width	Load Side	in mm	36.2	919	36.3	922	
			Power Unit Side	in mm	35.0	888	35.0	888	
	40	Ground Clearance	Below Mast	in mm	3.0	76	3.0	76	
			Center Wheelbase	in mm	4.3	108	4.3	108	
	42	Max Gradeability	w/wo Load (Intermit)	%	24.6 / 37.3		23.5 / 37.2		
43	Brake	Service		Regenerative Electric Motor Brake					
		Park		Spring Applied and Electrically Released					
Battery	45	Battery Voltage	Voltage	V	48				
			Min / Max	Ah	550 - 625		550 - 625		
	46	Battery Weight	Min / Max	lb kg	1793 / 1981	814 / 898	1793 / 1981	814 / 898	
			DIN 43531	Length	in mm	24.8	630	24.8	630
				Layout A	Width	in mm	32.7	830	32.7
		Height	in mm	24.7	627	24.7	627		
48	Battery Floor Height	w/wo Rollers	in mm	8.3 / 8.0	210 / 204	8.3 / 8.0	210 / 204		
Motors	49	Traction Motor	60 min rating	kW	2 x 5.5		2 x 5.5		
	50	Lift Motor	15% on time	kW	11.2		11.2		
	51	Operating Pressure	For Attachments	psi bar	Up to 3408	Up to 235	Up to 3408	Up to 235	

* Add 1.4" (36 mm) for Crown integrated sideshift, add 2.3" (59 mm) for hook on sideshift

** Travel speed reduction applicable to trucks with lift height above 89" (2260 mm) collapsed height

SC 6000 Series

Specifications

			<i>Imperial</i>	<i>Metric</i>	<i>Imperial</i>	<i>Metric</i>			
General Information	1	Manufacturer	Crown Equipment Corporation						
	2	Model	SCF 606X		SCF 606X				
			1.8		2.0				
	3	Load Capacity	lb kg	3965	1800	4405	2000		
	4	Load Center	in mm	24	600	24	600		
	5	Power	Electric	Battery					
	6	Operator Type		Sit-down Rider Counterbalanced					
	7	Tire Type		Super Elastic / SE					
Dimensions	8	Wheels (x = driven)	Number Front/Rear	2x/2					
	9	Lift Height		See Table 1					
	10	Mast	Extended Height	See Table 1					
	11	Free Lift	w/wo Load Backrest	See Table 1					
	12	Fork Carriage	ISO/FEM	2A					
	13	Fork Carriage Width	w/wo Load Backrest	in mm	39 / 38	990 / 965	39 / 38	990 / 965	
		Fork Dimension	Thickness/Width	in mm	1.75 / 4	45 / 100	1.75 / 4	45 / 100	
			Standard/Options	in mm	39 / 30, 36, 42, 45, 48, 54, 60	990 / 760, 915, 1145, 1065, 1220, 1370, 1525	39 / 30, 36, 42, 45, 48, 54, 60	990 / 760, 915, 1145, 1065, 1220, 1370, 1525	
	14	Mast Tilt	Forward/Backward	degree	See Table 1				
	15	Headlength*		in mm	85.4	2170	85.4	2170	
	16	Overall Width		in mm	44.4	1129	44.4	1129	
	17	Mast	Collapsed Height	in mm	See Table 1				
	21	Turning Radius		in mm	71.5	1816	71.5	1816	
	22	Load Distance*		in mm	14.4	366	14.4	366	
	23	Working Aisle Width	Minimum	in mm	See Table 2				
Speed	24	Travel Speed**	w/wo Load	mph km/h	9.94 / 9.94	16 / 16	9.94 / 9.94	16 / 16	
	25	Lift Speed	w/wo Load	ft/s m/s	1.71 / 1.84	0.52 / 0.56	1.61 / 1.84	0.49 / 0.56	
	26	Lower Speed	w/wo Load	ft/s m/s	1.64 / 1.64	0.50 / 0.50	1.64 / 1.64	0.50 / 0.50	
Weight	32	Weight	Less Battery	lb kg	6101	2767	6101	2767	
	33	Axle Load	w Load Front/Rear	lb kg	10335 / 1857	4687 / 842	11051 / 1581	5012 / 717	
			w/o Load Front/Rear	lb kg	3888 / 4335	1763 / 1966	3888 / 4335	1763 / 1966	
	35	Tires	Number Front/Rear		2 / 2				
			Front		200 / 50-10	200 / 50-10	200 / 50-10	200 / 50-10	
			Rear		140 / 55-9	140 / 55-9	140 / 55-9	140 / 55-9	
	38	Wheelbase		in mm	60.9	1547	60.9	1547	
Chassis	39	Track Width	Load Side	in mm	36.3	922	36.3	922	
			Power Unit Side	in mm	35.0	888	35.0	888	
	40	Ground Clearance	Below Mast	in mm	3.0	76	3.0	76	
			Center Wheelbase	in mm	4.3	108	4.3	108	
	42	Max Gradeability	w/wo Load (Intermit)	%	23.4 / 36.9		21.7 / 35.1		
43	Brake	Service		Regenerative Electric Motor Brake					
		Park		Spring Applied and Electrically Released					
Battery	45	Battery Voltage	Voltage	V	48				
			Min / Max	Ah	660 - 750		660 - 750		
	46	Battery Weight	Min / Max	lb kg	2122 / 2345	963 / 1063	2122 / 2345	963 / 1063	
			DIN 43531	Length	in mm	29.1	738	29.1	738
			Layout A	Width	in mm	32.7	830	32.7	830
		Height	in mm	24.7	627	24.7	627		
48	Battery Floor Height	w/wo Rollers	in mm	8.3 / 8.0	210 / 204	8.3 / 8.0	210 / 204		
Motors	49	Traction Motor	60 min rating	kW	2 x 5.5		2 x 5.5		
	50	Lift Motor	15% on time	kW	11.2		11.2		
	51	Operating Pressure	For Attachments	psi bar	Up to 3408	Up to 235	Up to 3408	Up to 235	

* Add 1.4" (36 mm) for Crown integrated sideshift, add 2.3" (59 mm) for hook on sideshift

** Travel speed reduction applicable to trucks with lift height above 89" (2260 mm) collapsed height

Table 1			TL																
Mast Chart SC 6000			SCF 604X / SCF 606X																
Dimensions	9	Lift Height	in mm	114	2895	126	3200	138	3505	150	3810	160	4060	165	4190	179	4545	194	4925
	10	Extended Ht w/o LBR	in mm	137	3480	149	3785	161	4090	173	4395	183	4650	188	4780	202	5135	217	5515
		Extended Ht w LBR	in mm	162	4115	174	4420	186	4725	198	5030	208	5285	213	5415	227	5770	242	6150
	11	Free Lift	in mm	6	150	6	150	6	150	6	150	6	150	6	150	6	150	6	150
	14	Tilt – F/B	degree	5/5		5/5		5/5		5/3		5/3		5/3		5/3		5/3	
17	Collapsed Ht	in mm	77	1955	83	2105	89	2260	95	2410	100	2540	105	2665	112	2840	119.5	3035	

Table 1 (continued)			TT																
Mast Chart SC 6000			SCF 604X / SCF 606X																
Dimensions	9	Lift Height	in mm	172	4365	190	4825	208	5280	226	5740	241	6120	252	6400	273	6930	295	7490
	10	Extended Ht w/o LBR	in mm	192	4880	210	5335	228	5795	246	6250	261	6630	272	6910	293	7445	315	8005
		Extended Ht w LBR	in mm	220	5590	238	6050	256	6510	274	6960	289	7345	300	7620	321	8155	343	8715
	11	Free Lift w/o LBR	in mm	57	1445	63	1600	69	1750	75	1905	80	2030	85	2155	92	2335	100	2540
		Free Lift w LBR	in mm	29	735	35	885	41	1040	47	1190	52	1320	57	1445	64	1625	72	1825
	14	Tilt – F/B	degree	5/5		5/5		5/5		5/3		5/3		5/3		5/3		5/3	
17	Collapsed Ht	in mm	77	1955	83	2105	89	2260	95	2410	100	2540	105	2665	112	2840	119.5	3035	

Table 1 (continued)			TF						QUAD**						
Mast Chart SC 6000			SCF 604X / SCF 606X						SCF 604X / SCF 606X						
Dimensions	9	Lift Height	in mm	114		2895		126		3200		240		6095	
	10	Extended Ht w/o LBR	in mm	138		3510		150		3810		260		6605	
		Extended Ht w LBR	in mm	162		4115		174		4420		288		7320	
	11	Free Lift w/o LBR	in mm	53		1345		59		1495		61		1545	
		Free Lift w LBR	in mm	29		735		35		885		33		835	
	14	Tilt – F/B	degree	5/5*			5/5*			5/3					
17	Collapsed Ht	in mm	77		1955		83		2105		83		2105		

* 5/3 with front panel (windshield)

** Not available on SCF 606X-2.0

Table 2 Working Aisle Width	38 Wheelbase		22 Load Distance		21 Turning Radius		Pallets		23 Aisle Width according to VDI 2198					
	Y		X		Wa		Length x Width (in mm)		w/o Sideshift		Integrated Sideshift		with Hook-on Sideshift	
SCF 604X-1.6	56.7	1439			67.3	1709	31.5 x 47.2	800 x 1200	126.6	3215	127.8	3247	128.6	3268
			14.2	360			47.2 x 31.5	1200 x 800	138.6	3519	139.9	3555	140.8	3577
			15.6	360			39.4 x 47.2	1000 x 1200	133.7	3395	135.0	3429	135.8	3450
			16.5	360			47.2 x 39.4	1200 x 1000	139.7	3547	141.0	3582	141.9	3603
SCF 604X-1.8	56.7	1439			67.3	1709	31.5 x 47.2	800 x 1200	126.6	3220	127.8	3253	128.6	3273
			14.4	366			47.2 x 31.5	1200 x 800	138.6	3525	139.9	3560	140.8	3583
			15.8	366			39.4 x 47.2	1000 x 1200	133.7	3401	135.0	3434	135.8	3455
			16.7	366			47.2 x 39.4	1200 x 1000	139.7	3553	141.0	3587	141.9	3609
SCF 606X-1.8 SCF 606X-2.0	60.9	1547			71.5	1816	31.5 x 47.2	800 x 1200	126.6	3327	127.8	3360	128.6	3380
			14.4	366			47.2 x 31.5	1200 x 800	138.6	3632	139.9	3667	140.8	3690
			15.8	366			39.4 x 47.2	1000 x 1200	133.7	3508	135.0	3541	135.8	3562
			16.7	366			47.2 x 39.4	1200 x 1000	139.7	3660	141.0	3694	141.9	3716

Standard Equipment

1. Crown's Access 1 2 3® Comprehensive System Control
2. InfoPoint® System
3. Crown-manufactured AC drive and AC lift motors
4. e-GEN® Braking System with automatic parking brake
5. Adjustable armrest, forward/backwards with
 - Manual levers, urethane covered offset positioned control handles with tactile feedback forward reverse switch integrated in
 - Steer column, left or right side
 - 1st hydraulic lever
 - Thumb operated travel direction switch
6. Intrinsic Stability System®
 - Travel speed reduction and appropriate electronic brake control when forks are above free lift
 - Forward tilt interlock reduces forward tilt above freelift to maximize stability
 - Controlled tilt speeds
 - Counterweight exceeds required standards
 - Cornering speed control
 - Ramp hold
 - Ramp speed control
7. Driveability standard features
 - 14.8" (375 mm) step height
 - Large, unobstructed floorboard
 - Non-slip rubber floor mat
 - Automotive type rubber covered accelerator and brake pedals
 - Automatic parking brake (seat activated)
 - Large, entry/exit "window"
 - Entry/exit to both sides
 - Rounded edges on battery cover for easy entry/exit
 - Comfort suspension safety seat MSG 65 vinyl with hip restraint
 - High visibility orange anti-cinch safety belt
 - Storage tray on seatdeck
 - Compact steering column and small steering wheel
 - Spinner knob with grips
 - Infinitely adjustable tilt steering column

- Operator-forward design for enhanced visibility
 - Low dashboard for fork and floor visibility
8. Crown display
 - Battery discharge indicator with lift interrupt and re-key feature
 - Hour meters / travel distance / stop watch
 - Pin code access capable
 - Event code display with five (5) key navigation
 - Access 1 2 3 diagnostics
 - P1, P2, P3 Performance tuning
 9. 48 volt system
 10. 48" (1220 mm) high load backrest
 11. SB 350 battery connector
 12. DIN 43531 battery compartment sizes
 - Side extraction battery access
 13. Xtreme 15" Super Elastic steer tires
 14. Xtreme 18" Super Elastic drive tires
 15. SIT Tires, one piece rim without taper, rim flange or locking ring
 16. On-demand power steering
 17. Cab-ready overhead guard design with entry/exit grab bar
 18. 82.9" (2105 mm) overhead guard height
 19. No tool lift out floorboards for service access
 20. High visibility mast with in-line hose routing
 21. Smooth lift and lower transition through mast staging
 22. O-ring face seal hydraulic fittings
 23. Tilting mast
 24. Tow pin
 25. Static Return to On (Directional lever to neutral after seat is empty) SC 6040/6060 (Off) SC 6041/6061 (On)

Optional Equipment

1. TL, TF, TT and Quad mast styles
2. Choice of hydraulic control levers
 - Dual-Axis hydraulic control levers
 - Fingertip control levers

3. Battery rollers for side extraction
4. DIN A 160 battery connector
5. SBE 320 battery connector
6. QuickCharge (1 or 2 connectors on seat deck)
7. Tilt Position Assist TPA
 - Allows forks to stop in horizontal position
8. Auxiliary mast hydraulics
 - Single function
 - Double function, with 4 spool valve and accessory plumbing
9. Single or double quick disconnect hydraulic connectors
10. Hook-on or integrated sideshifter
11. Hook-on fork positioner
12. Various fork lengths and backrest heights
13. Choice of tires
 - Non-marking super elastic tires
 - Continental 18" super elastic tires
14. Rear mud flaps
15. Suspension seat fabric
16. Freezer conditioning
17. Low overhead guard, 78.4" (1990 mm) high
18. Drive-In racking OHG
19. Plexiglass roof panel
20. Light packages
 - Interior dome light
 - Work lights
 - Flashing lights
 - Brake, tail and back-up light
 - LED Travel light package
 - Headlights
 - Dipped / low beam
 - Turn / indicator lights
 - Hazard flashing lights
 - Tail lights at lower rear
21. InfoLink Ready
22. 48 Volt accessory cable
23. Audible travel alarm
24. Sunshade
25. Rear view mirror
26. Storage bin (magnetic mount)
27. Work Assist® Accessories
 - Clip pad and hook
 - Clamp
 - Clamp and mounting plate
 - Storage pocket

28. Seat belt interlock
29. Optional paint colors
30. Dock Performance package
31. Battery retainer switch
32. Front panel (windshield)
33. Top panel (laminated glass)
34. Front and top panel (tempered glass)
35. All – front, top and rear panels (tempered glass)
36. Front panel tempered glass (windshield with wiper/washer and top panel (laminated glass))
37. Front panel (windshield) with wiper/washer, top panel, and heated rear panel with rear wiper/washer
38. Soft cabin (complete) front panel tempered glass (windshield) with wiper/washer, top panel, and heated rear panel wiper/washer, soft side doors with zipper open/close
39. Soft cabin (complete) with hard door ready
40. Hard cabin (complete) front panel tempered glass (windshield) with wiper/washer, top panel, and heated rear panel wiper/washer and hard doors. Removable hard doors with gas spring and door locks, two-way side windows with tempered glass.
41. Cabin heater. Lower right side mounted cabin heater with a 3-speed fan. Five adjustable outlets: foot, operator and defrost.

Driveability

The SC 6000 Series incorporates numerous design features to improve operator comfort and productivity.

On-demand power steering is served by the main hydraulic pump when steering is requested. Steering system with equal area and double-acting cylinder provides an equally responsive steering rate both ways.

A large step positioned at a low height of only 14.8" (375 mm) aids entry/exit on both sides of the truck. The narrow, offset tilt steer column and steer wheel further facilitate entry/exit. Floorboards are large, unobstructed and rubber covered to insulate the operator from vibration. Brake and accelerator pedals are rubber covered to provide good grip and comfort.

Several designs contribute to better visibility everywhere you look. A low dashboard for fork visibility, a slim overhead guard with upper unobstructed window for load handling at height, a high visibility mast and a compact steer column all improve operator visibility around the truck.

Hydraulic controls allow easy blending of up to 4 hydraulic functions. Fingertip controls are integrated into the adjustable armrest. Dual-Axis controls are recommended when operators wear gloves. The manual levers are urethane covered with tactile feedback for comfort and easy selection. Control actuation forces are minimal and responsive.

Crown Drive System

Crown has applied the latest generation AC drive system, enhanced with Access 1 2 3 technology. The demand for high efficiency systems that closely match customer torque requirements is met with this latest generation control system. Crown-manufactured, independently controlled, AC drive motors are specifically designed to optimize system integration between the traction and braking controls.

Crown's Access 1 2 3 technology provides optimum performance and control by offering a communication interface for operators and technicians, intelligent coordination of lift truck system and simplified service with advanced diagnostics.

The Crown display is used for easy troubleshooting, access service history and set performance features. Three modes of performance can be selected to accommodate operator experience or application requirements.

e-GEN® Braking System

Variable regenerative motor braking is optimized and assisted with electric friction brakes, eliminating maintenance associated with typical wet, disk or drum style brakes. The appropriate amount of stopping force is applied to match operator brake input and the current operating conditions of the truck.

The closed loop Access 1 2 3 traction control will automatically maintain truck control until travel input is requested, even when operating on a ramp.

Automatic electric parking brakes activate when the operator leaves the seat, a travel input has not been requested or battery power has been disconnected.

Steering System

The rugged axle frame, forged spindle and connecting links eliminate the need for adjustment. A two-piece spindle and kingpin with tapered roller bearings improves life and serviceability. Spherical bearings with straight pins in the connecting links eliminate any play in the linkage. All bearing locations are sealed to exclude contaminants and are equipped with lubrication fittings for ease of service.

The steering geometry is matched to the controller to deliver smooth steering at all angles. The advantage is less tire scrubbing which extends tire life. Both motors receive power, even in the tightest turns. This helps the truck to accelerate, turn and maneuver even from a full turn start position. Cornering speed control regulates the drive motor's output by the turning degree of the truck. The advantage is smooth, stable steering which may increase operator confidence and productivity.

Hydraulics

Low noise hydraulic pump serves both lift and steer systems. The hydraulic system provides continuous filtration through suction filter and easy to service return filter. Hydraulic actuation is precise and oil is controlled using metered spool valves. 3 spool valve for lift/lower, tilt and an auxiliary function is standard and features an integrated pressure relief valve for system protection. A pressure compensation lowering valve ensures safe controlled lowering speeds.

Ram displacement type lift cylinders and two double acting tilt cylinders are Crown-manufactured and designed for long life. All rams and piston rods are hard chrome plated to reduce pitting corrosion and extend cylinder packing life. O-ring face seal fittings are used to eliminate leaks.

Mast Assembly

Crown-manufactured three-stage mast assembly utilizes a "flush-face" interlocked I-beam design to improve visibility and reduce truck length. Roller bearing studs are welded on both sides of the rails for maximum strength and roller bearings are canted to run in the thick cross section of the rail. High strength steel mast sections with sealed-for-life rollers are constructed for low mast deflection and high rigidity. Tie bars wrap around the rails for added strength and to resist off-center load forces.

"In-line" hose routing opens up visibility. Cylinders are placed behind the rails to create a high visibility design. The mast has four points of attachment to the truck for good load force distribution. Two mounting points are at the frame, where tilt cylinders attach. Tilt cylinders use spherical bushings to resist off-center load distortions. Two large diameter spherical bearings secure the mast to the drive units.

The Crown-manufactured mast offers quiet lift transition through staging while lifting and lowering. Anti-rattle devices reduce mast noise when traveling on uneven surfaces.

A range of mast types are available:

- TL offers maximum visibility through the mast by eliminating the inner free lift cylinder.
- TF offers widest visibility window with full free lift capability.
- TT offers maximum flexibility with full free lift capability.
- The Quad mast offers maximum lift height at lowest collapsed height.

Drive Units

Two independent drive units are manufactured by Crown. The heavy duty drive unit gears are constantly lubricated in an oil bath. This time proven design is quiet and reliable, providing years of trouble-free service.

Carriage

An FEM / ISO / ITA Class II carriage is standard. Fork spread is adjustable between 12.4" – 36" (314 – 914 mm). There is a choice of a Crown-manufactured integrated sideshifter or hook-on ISO type sideshifter. Other attachments such as a fork positioner are easy to add. Crown-manufactured forged high strength steel forks with fork tip indicators are available in various lengths.

Battery Access

Seat deck with latch can be easily lifted for excellent battery access. Seat deck is supported by gas struts and stays vertically. A lift out battery door is standard. A battery retainer switch prevents unintentional operation, when battery door is not properly fitted.

Battery Transfer System BTS

The patent pending BTS system is optionally available. This unique manually powered system allows fastest and safest battery exchange within minutes for extended operating hours or continuous truck operation by exchanging spare batteries.

Other Options

1. Audible travel alarm
 2. Flashing lights
- Safety considerations and dangers associated with audible travel alarms and flashing lights include:
- Multiple alarms and/or lights can cause confusion.
 - Workers ignore the alarms and/or lights after day-in and day-out exposure.
 - Operator may transfer the responsibility for "looking out" to the pedestrians.
 - Annoys operators and pedestrians.

Other Options Available

Contact your local Crown dealer.

Dimensions and performance data given may vary due to manufacturing tolerances. Performance is based on an average size vehicle and is affected by weight, condition of truck, how it is equipped and the conditions of the operating area. Crown products and specifications are subject to change without notice.



You can count on Crown to build lift trucks designed for safe operation, but that's only part of the safety equation. Crown encourages safe operating practices through ongoing operator training, safety-focused supervision, maintenance and a safe working environment. Go to crown.com and view our safety section to learn more.

Crown Equipment Corporation
New Bremen, Ohio 45869 USA
Tel 419-629-2311
Fax 419-629-3796
crown.com

Because Crown is continually improving its products, specifications are subject to change without notice.

Crown, the Crown logo, the color beige, the Momentum symbol, Access 1 2 3, InfoPoint, e-GEN, Intrinsic Stability System and Work Assist are trademarks of Crown Equipment Corporation.

Copyright 2016 Crown Equipment Corporation
SF19394 Rev. 12-16
Printed in U.S.A.