

CROWN

# PTH 50 SERIES



# Maximum Utility for Unrivaled Results

The PTH 50 Series may be the smallest truck in the Crown product family, but it can make a big difference for your operation with superior ergonomics, adaptability for countless applications, and industry-leading durability. Take advantage of a truck that delivers exceptional value and lower total cost of ownership without sacrificing performance.

**The Crown PTH 50 Series.**  
**Exceptional Long-Term Value**



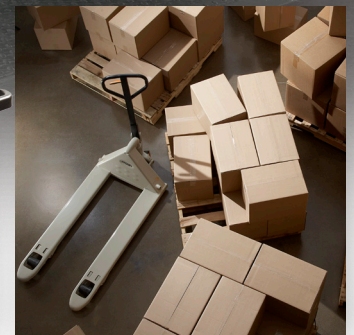
Visit [crown.com](http://crown.com)

See the PTH 50 Series



# The Must-Have Hand Pallet Truck

Find power in productivity with the PTH 50 Series. It's built to last and easy to use in any part of your facility. That's why Crown's pallet truck is the go-to truck in most any application.



## Durability

Complete the toughest challenges and benefit from simpler service with an intuitive design and dependable, long-lasting components.

## Ease Of Use

Feel the difference of superior maneuverability and functionality as you seamlessly and comfortably move from task to task throughout your facility.

## Versatility

Don't settle for less. The PTH 50 Series can be customized in a number of ways to meet your unique needs.

## Peace of Mind

Built to last and warranted to prove it, the PTH 50 Series includes an industry leading three year replacement warranty\*.

\*A 3-year Supplemental Warranty covering pump assembly, frame, handle, lift linkage and pushrod weldments is included with all PTH50 models, excluding PTH50S and PTH50PS-1.

# Durability That Lasts

Crown takes the design of every truck seriously. The PTH 50 Series receives attention to performance and value in everything from engineering and design to manufacturing and testing.

Unlike “throw-away” trucks available today, Crown’s PTH 50 Series features solid construction, generous use of steel, and ergonomic features that make it the easiest to use shift after shift, year after year. With millions of trucks sold worldwide, our reputation is an important part of each truck we sell.

**3  
YEAR  
WARRANTY\***



Includes **sealed and lubricated for life** bushings and bearings where others feature grease fittings.

Feel the difference in Crown's **strong, yet ergonomic design** that uses more steel where it's needed most.

Refined Fork Tip Design **increases flexibility** for use in any application with a 2.95-inch fork clearance.

Steer and load wheels are engineered with **high-quality** compounds and bearings.

Forks with C-channel formed steel provide **added strength**.

**Reinforced** lower handle

**1M  
CYCLES**

Pump valve tested to **over one million cycles** and minimizes contamination and corrosion with hard chrome pistons.

Cross braces and steel forgings on lift truck arms **prevent twisting**.

Yellow chromate pins and shafts **resist corrosion**.

\*A 3-year Supplemental Warranty covering pump assembly, frame, handle, lift linkage and pushrod weldments is included with all PTH50 models, excluding PTH50S and PTH50PS-1.



## Ease Of Use You Can Feel

Easy handling and versatile performance make the PTH 50 Series an ideal solution in every point of your operation. Crown designed the truck with features to provide greater convenience for the operator, so the truck works harder for you.

### Repetitive Tasks Simplified

Complete recurrent tasks more easily and reduce fatigue with an ergonomic handle that includes:

- a contoured design
- low-stress pump action
- a neutral lever position that provides ergonomic access
- an automatic return-to-vertical position



Pallet entry/exit is **optimized** with rollers, an exit ramp and a tapered fork tip design.

Box-style push rods ensure **better longevity**.



### Articulating wheels

The PTH 50 Series has 7-inch articulating wheels designed to maintain optimal contact with the floor to help maneuver over uneven surfaces, across docks, and in and out of trailers.

## Easy to Maintain

Not only is the PTH 50 Series easy to handle and maneuver, Crown has designed it to be as maintenance-free as possible. Each part is economical to replace and readily available, so you can save effort, time and money.

# Versatility That Gets the Job Done

The PTH 50 Series covers more than the basics—it is designed to be used in most any application, and offers optimal performance in numerous operations. Plus, there are several options available that you can use to customize your truck to meet the needs of your specific application and create even more possibilities for your facility.

## Manual Scissor Lift

Forks are raised and lowered by simply pumping the handle with the lever in the "raise" position.



## Powered Scissor Lift

Electrically-powered hydraulics raise and lower forks at the touch of a button.



**Scissor Lift** improves operator comfort and efficiency by avoiding unnecessary bending and lifting that can cause strains and stresses on the body. It has various uses as a hand pallet truck and a mobile work positioner, can handle skids and open-bottom containers, and can be used to hold materials that will be fed onto conveyors and printing or punch presses.

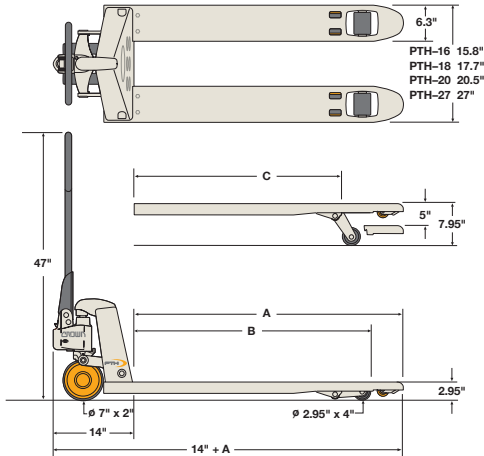


**Load Backrest** is constructed of 5/16-inch steel, and backrests are available in 48-inch and 60-inch sizes. Bolt-on installation simplifies field retrofits.



**Skid Adapter** increases lowered height to 5.5 inches to permit skid handling. Raised height increases to 10.5 inches. Adapter latches in vertical position for pallet-handling tasks.

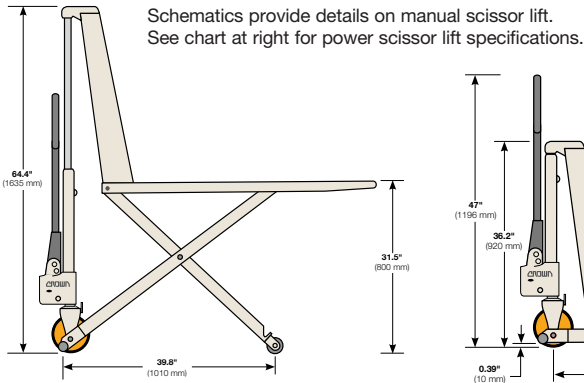
## Standard PTH



Model	Width (in.)	(A) Fork Length (in.)	(B) Load Wheel Lowered (in.)	(C) Load Wheel Raised (in.)	Weight (lb.)
PTH 50 16-36	15.8	35	29.5	23.5	132
PTH 50 18-42	17.7	42	35.5	29.5	141
PTH 50 18-48	17.7	48	41.5	35.5	148
PTH 50 20-36	20.5	36	29.5	23.5	137
PTH 50 20-42	20.5	42	35.5	29.5	143
PTH 50 20-48	20.5	48	41.5	35.5	150
PTH 50 27-36	27.0	36	29.5	23.5	143
PTH 50 27-42	27.0	42	35.5	29.5	150
PTH 50 27-48	27.0	48	41.5	35.5	159
PTH 50 27-54	27.0	54	47.5	41.5	174
PTH 50 27-60	27.0	60	53.5	47.5	187
PTH 50 27-72	27.0	72	65.5	59.5	209

Capacity	5000 lbs.	<b>Polyurethane Wheels</b>
Width of each fork	6.3"	Steer wheels
Lift	5"	Load wheels
		Steer wheels
		Load wheels

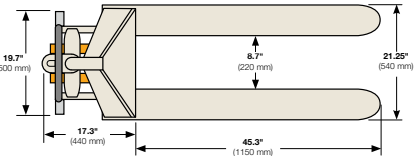
## Scissor Lift PTH



Schematics provide details on manual scissor lift. See chart at right for power scissor lift specifications.

Model	Lift Type	Width (in.)	Fork Length (in.)	Overall Length (in.)	Fork Height Lowered (in.)	Weight (lb.)
PTH 50 S	Manual	21.25	45.3	62.8	3.35	348
PTH 50 PS	Electric	21.25	45.3	65.2	3.35	429

Capacity	2200 lbs.	<b>Polyurethane Wheels</b>
Width of each fork	6.3"	Steer wheels
Lift	28"	Load wheels
		Steer wheels
		Load wheels



## Load Tray PTH

The optional load tray gives you the flexibility to build orders and unload trailers on a single hand pallet truck, eliminating secondary carts or platform trucks. Plus, it works with a wide range of Crown's Work Assist accessories, and offers a large work surface and space to keep paperwork, tools and other accessories at hand. The tray can be folded down when not in use or to eliminate interference with loads.



Load Tray & Accessory Tube	Tray Width (in.)	Tray Length (in.)	Tray Height From Floor (in.)	Tray Capacity (lb.)
Fold Down Load Tray	27	21	44	50

### Crown's Work Assist® Accessories Options



The Crown Work Assist System enables users to tailor truck features to the job. From phone holders (phone not included) to clipboards, Crown offers a full range of accessories.

**The PTH 50 Series: Exceptional Long-Term Value.**  
Contact your local Crown dealer or purchase online at [crown.com](http://crown.com)



**Crown Equipment Corporation**

New Bremen, Ohio 45869 USA

**Tel** 419-629-2311

**Fax** 419-629-3796

[crown.com](http://crown.com)

**You can count on Crown to build lift trucks designed for safe operation, but that's only part of the safety equation. Crown encourages safe operating practices through ongoing operator training, safety-focused supervision, maintenance and a safe working environment. Go to [crown.com](http://crown.com) and view our safety section to learn more.**

Because Crown is continually improving its products, specifications are subject to change without notice.

Crown, the Crown logo, the color beige, the Momentum Mark, Work Assist and the ecologic logo are trademarks of Crown Equipment Corporation.

Copyright 2016-2017 Crown Equipment Corporation  
SF14847 11-17  
Printed in U.S.A.



Clean Environment. Smart Business.

Printed on elemental chlorine free and sustainably forested paper.