

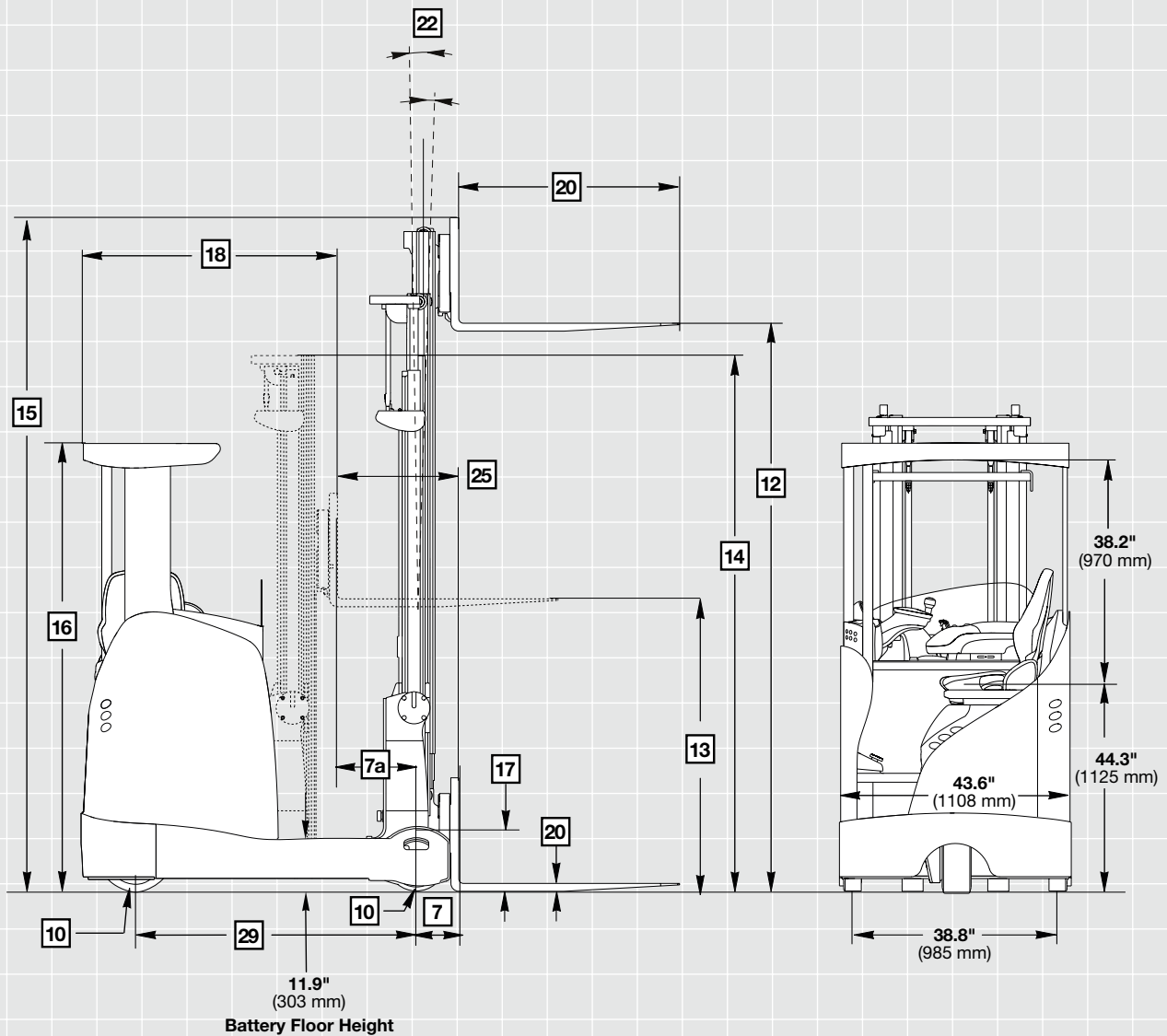
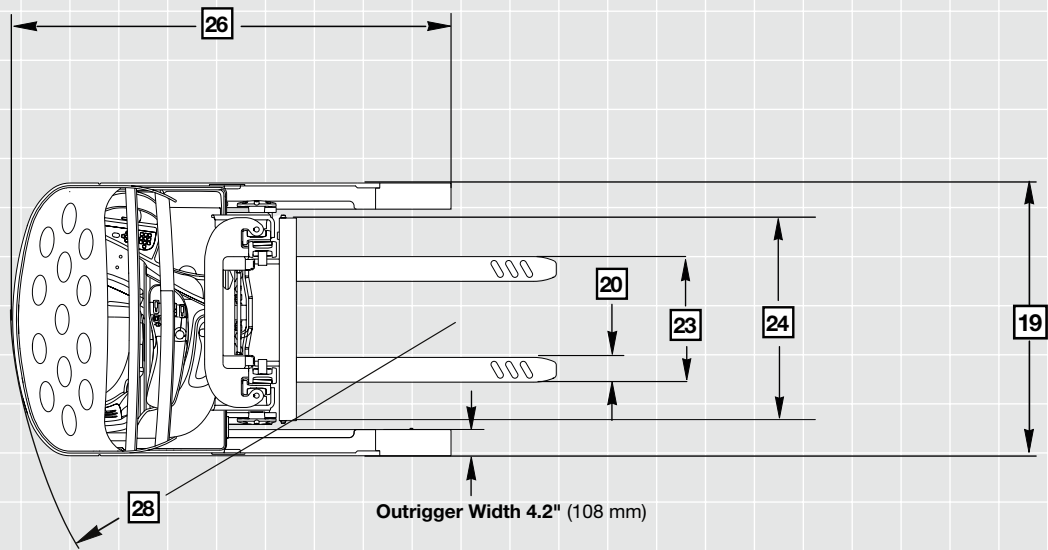
CROWN

ESR 5200 SERIES

Specifications

Moving Mast Reach Truck





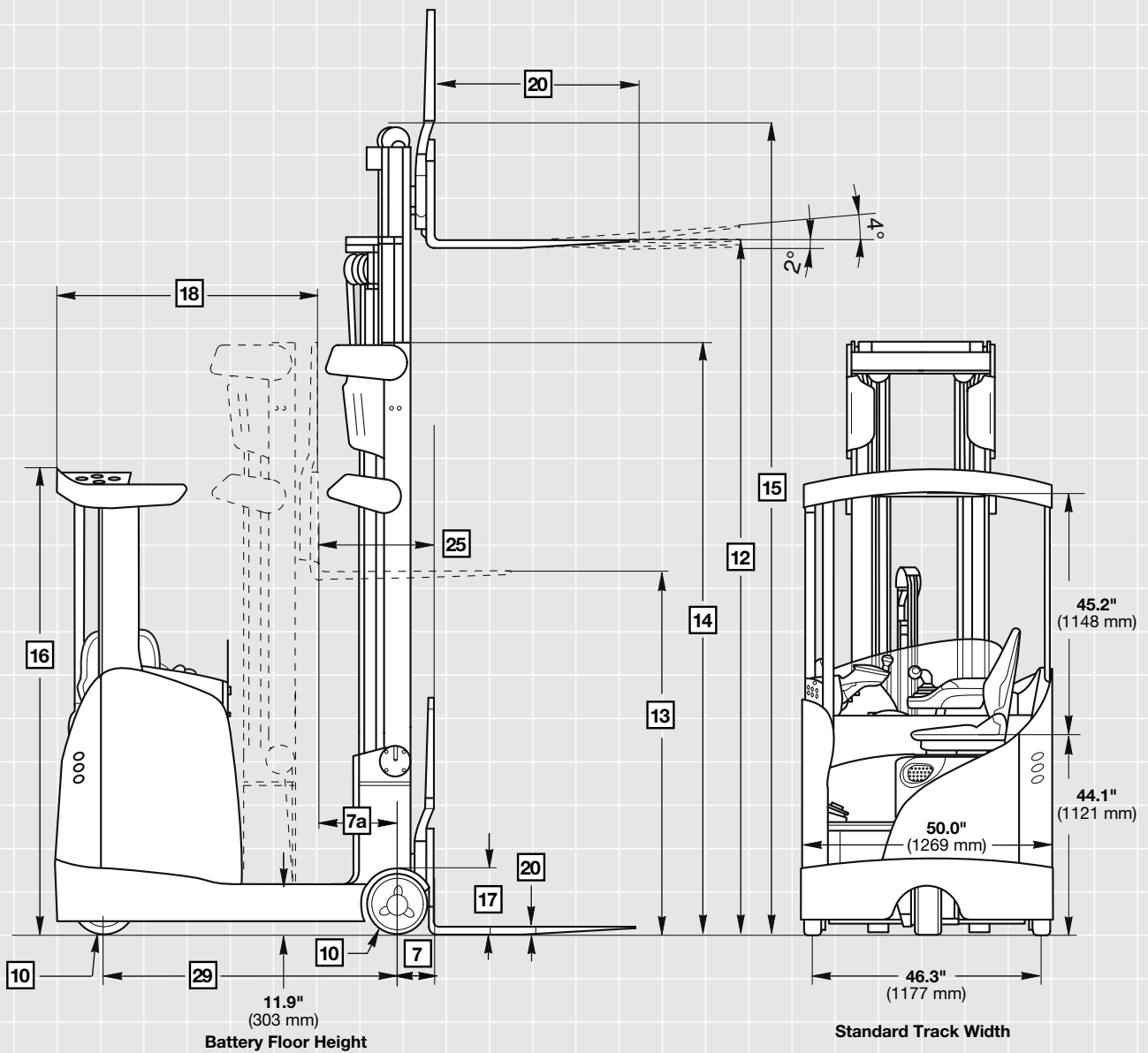
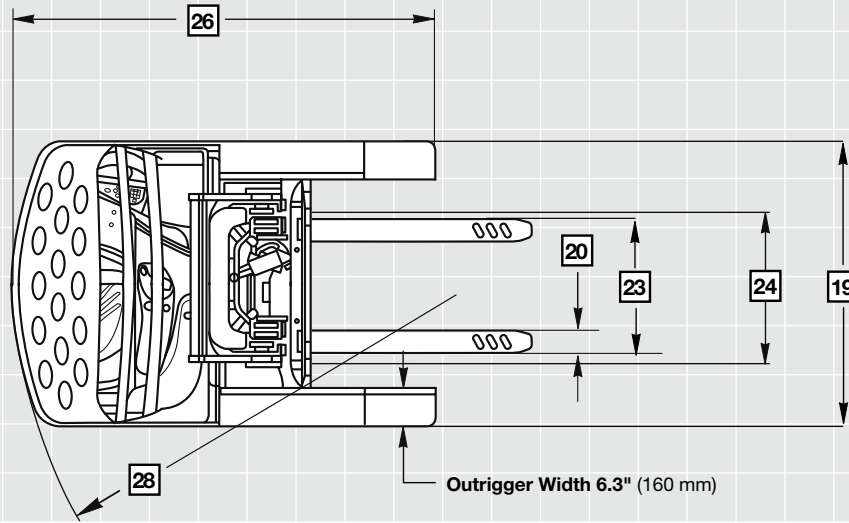
ESR 5200 Series

Specifications

			Imperial	Metric	Imperial	Metric		
General	1	Manufacturer	Crown Equipment Corporation					
	2	Model	ESR 5220-30		ESR 5220-35			
	3	Load Capacity	lb kg	3000	1400	3500	1600	
	4	Load Center	Fork face to load CG	in mm	24	600	24	600
	5	Power	Electric					
	6	Operator Type	48 Volts					
	7/7a	Load Distance	Extended/Retracted	in mm	7.95/Table 1	202/Table 1	7.95/Table 1	202/Table 1
	8	Wheels (x = driven)	Number Front/Rear					
	9	Tire Type	1x/2					
	10	Tires	Size - Drive/Caster	in mm	Vulkollan			
	11	Truck Weight	Less Battery	lb kg	4090*	1855*	4090*	1855*
Dimensions	12	Lift Height	Max Fork Height	in mm	See Mast Chart			
	13	Free Lift Height	w/o Load Backrest	in mm	See Mast Chart			
	14	Overall Collapsed Height		in mm	See Mast Chart			
	15	Overall Extended Height	w/o Load Backrest	in mm	See Mast Chart			
	16	Overhead Guard Height		in mm	85.6	2175	85.6	2175
	17	Outrigger Height		in mm	12.3	312	12.3	312
	18	Head Length		in mm	See Table 1			
	19	Overall Width			44.1	1120	44.1	1120
	20	Forks	Standard L x W x T	in mm	39x4x1.5	990x102x38	39x4x1.75	990x102x45
			Optional Lengths	in mm	42,45,48	1065,1145,1220	42,45,48	1065,1145,1220
	21	Sideshift	Left/Right	in mm	2	50	2	50
	22	Mast/Carriage Tilt	Forward/Backward	degree	See Mast Chart			
	23	Width Across Forks	Max	in mm	27.4	695	27.4	695
	24	Fork Carriage Width		in mm	30.3	770	30.3	770
	25	Reach		in mm	See Table 1			
	26	Length Over Outriggers		in mm	70.9	1800	74.6	1895
	27	Ground Clearance		in mm	3	76	3	76
	28	Turning Radius		in mm	64.5	1638	68.2	1733
29	Wheelbase (Standard Wheel)		in mm	54.3	1380	58.1	1475	
Performance	30	Speed Travel**	Empty/Loaded	mph km/h	6.2	10.0	6.2	10.0
	31	Speed Lift	Empty	fpm m/s	118	0.6	118	0.6
			Loaded	fpm m/s	79	0.4	79	0.4
	32	Speed Lower	Empty	fpm m/s	98	0.5	98	0.5
			Loaded	fpm m/s	98	0.5	98	0.5
33	Max Gradeability	w/wo Load	%	12/12		12/12		
34	Brakes	Regen/Load Wheel Brake		Regen/No		Regen/1x		
Battery	35	Battery Type			Lead Acid		Lead Acid	
	36	Max Amp	Ah	930		930		
	37	Max Battery Size LxWxH	in mm	See Battery Chart				

* TL Mast 109" (2760 mm) + Option 5 Battery Tray

** 5.6 mph (9.0 km/h) in fork direction



ESR 5200 Series

Specifications

			Imperial	Metric	Imperial	Metric	Imperial	Metric		
General	1	Manufacturer	Crown Equipment Corporation							
	2	Model	ESR 5260-30		ESR 5260-35		ESR 5260-45			
	3	Load Capacity	lb kg	3000	1400	3500	1600	4500	2000	
	4	Load Center	Fork face to load CG	in mm	24	600	24	600	24	600
	5	Power	Electric	48 Volts						
	6	Operator Type	Sit Down							
	7/7a	Load Distance	Extended/Retracted	in mm	7.4/ Table 2	187/ Table 2	8.5/ Table 2	217/ Table 2	8.5/ Table 2	217/ Table 2
	8	Wheels (x = driven)	Number Front/Rear	1x/2						
	9	Tire Type	Vulkollan							
	10	Tires	Size - Drive/Caster	in mm	13.5x5.5, 11.2x3.9	343x140, 285x100	13.5x5.5, 13x3.9	343x140, 330x100	13.5x5.5, 13x3.9	343x140, 330x100
11	Truck Weight	Less Battery	lb kg	5587*	2534*	5637*	2557*	5867**	2661**	
Dimensions	12	Lifting Height	Max Fork Height	in mm	See Mast Chart					
	13	Free Lift Height	w/o Load Backrest	in mm	See Mast Chart					
	14	Overall Collapsed Height		in mm	See Mast Chart					
	15	Overall Extended Height	w/o Load Backrest	in mm	See Mast Chart					
	16	Overhead Guard Height		in mm	93.5	2375	93.5	2375	93.5	2375
	17	Outtrigger Height		in mm	11.9	301	13.6	346	13.6	346
	18	Head Length		in mm	See Table 2					
	19	Overall Width	Front/Rear Standard	in mm	50/50.6	1269/1285	50/50.6	1269/1285	50/50.6	1269/1285
	20	Forks	Standard L x W x T	in mm	39x4 x1.5	990x102 x38	39x4 x1.75	990x102 x45	39x4 x1.75	990x102 x45
			Optional Lengths	in mm	42,45, 48	1065,1145, 1220	42,45, 48	1065,1145, 1220	42,45, 48	1065,1145, 1220
	21	Sideshift	Left/Right	in mm	2.8	70	2.8	70	2.8	70
	22	Carriage Tilt	Forward/Backward	degree	2/4		2/4		2/4	
	23	Width Across Forks	Max	in mm	27.4	695	27.4	695	27.4	695
	24	Fork Carriage Width	w/wo Load Backrest	in mm	30.3/29.5	770/750	30.3/29.5	770/750	30.3/29.5	770/750
	25	Reach		in mm	See Table 2					
	26	Length Over Outriggers		in mm	70.3	1785	74.9	1903	74.9	1903
	27	Ground Clearance		in mm	3	76	3	76	3	76
	28	Turning Radius		in mm	64.8	1645	68.3	1734	68.3	1734
	29	Wheelbase (Standard Wheel)		in mm	54.3	1380	58.1	1475	58.1	1475
Performance	30	Speed Travel	Empty/Loaded	mph km/h	8.7	14.0	8.7	14.0	8.7	14.0
	31	Speed Lift	Empty	fpm m/s	136	0.69	136	0.69	106	0.54
			Loaded	fpm m/s	81	0.41	77	0.39	63	0.32
	32	Speed Lower	Empty	fpm m/s	112	0.57	112	0.57	112	0.57
			Loaded	fpm m/s	112	0.57	112	0.57	98	0.5
33	Max Gradeability	w/wo load	%	12/12		12/12		12/12		
34	Brakes	Regen/Load Wheel Brake		Regen/2x		Regen/2x		Regen/2x		
Battery	35	Battery Type		Lead Acid		Lead Acid		Lead Acid		
	36	Max Amp	Ah	1115		1115		1115		
	37	Max Battery Size LxWxH	in mm	See Battery Chart						

* TT 4-Roller Mast 192" (4890 mm) + Option 1 Battery Tray

** TT 6-Roller Mast 181" (4595 mm) + Option 2 Battery Tray

		Battery Chart ESR 5220								
Dimensions		Option 5		Option 6		Option 7		Option 8		
	Battery Weight Min-Max	lb kg	1193-1320	541-599	1563-1726	709-783	1962-2696	890-1223	2343-3056	1063-1386
	Battery Size	in mm	Width							
	ESR 5220-30	in mm	9.75-10.35	248-263	13.30-13.90	338-353	16.80-17.45	427-443	na	na
	ESR 5220-35	in mm	na	na	13.30-13.90	338-353	16.80-17.45	427-443	20.45-21.00	520-533
	Battery Length	in mm	39.90-40.75	1014-1035	39.90-40.75	1014-1035	39.90-40.75	1014-1035	39.90-40.75	1014-1035
	Max Battery Height	in mm	30.9	785	30.9	785	30.9	785	30.9	785

Note: Bolt-on spacer kit will be included as standard

		Battery Chart ESR 5260								
Dimensions		Option 1		Option 2		Option 3		Option 4		
	Battery Weight Min-Max	lb kg	1572-1847	713-838	1965-2328	891-1056	2343-2773	1063-1258	2736-3508	1241-1591
	Battery Size	in mm	Width							
	ESR 5260-30	in mm	10.55-11.15	268-283	13.35-14.00	339-355	16.25-16.80	412-427	na	na
	ESR 5260-35	in mm	10.55-11.15	268-283	13.35-14.00	339-355	16.25-16.80	412-427	19.10-19.65	485-499
	ESR 5260-45	in mm	na	na	13.35-14.00	339-355	16.25-16.80	412-427	19.10-19.65	485-499
	Battery Length	in mm	47.25-48.20	1200-1224	47.25-48.20	1200-1224	47.25-48.20	1200-1224	47.25-48.20	1200-1224
Max Battery Height	in mm	30.9	785	30.9	785	30.9	785	30.9	785	

Note: Bolt-on spacer kit will be included as standard

Table 1			ESR 5220								
Dimensions	ESR 5220-30		Option 5		Option 6		Option 7		Option 8		
	7a	Load Distance Retracted	in mm	18.6	472	15.2	387	11.7	297	na	na
	18	Head Length	in mm	45.9	1166	49.3	1251	52.8	1341	na	na
	25	Reach	in mm	26.5	674	23.2	589	19.7	499	na	na

All -30 models with lift height ≥ 313" (7950 mm) have a TT mast and an integrated sideshifter, this adds 1.8" (46 mm) to load distance retracted and head length.

Table 1			ESR 5220								
Dimensions	ESR 5220-35		Option 5		Option 6		Option 7		Option 8		
	7a	Load Distance Retracted	in mm	na	na	19.0	482	15.4	392	11.9	302
	18	Head Length	in mm	na	na	49.3	1251	52.8	1341	56.3	1431
	25	Reach	in mm	na	na	26.9	684	23.4	594	19.8	504

All -35 models have a TT mast and an integrated sideshifter, this adds 1.8" to load distance retracted and head length.

Table 2			ESR 5260								
Dimensions	ESR 5260-30		Option 1		Option 2		Option 3		Option 4		
	7a	Load Distance Retracted	in mm	14.1	357	11.8	300	9.0	228	na	na
	18	Head Length	in mm	50.4	1281	52.7	1338	55.5	1410	na	na
	25	Reach	in mm	21.4	544	19.2	487	16.3	415	na	na

Table 2			ESR 5260								
Dimensions	ESR 5260-35		Option 1		Option 2		Option 3		Option 4		
	7a	Load Distance Retracted	in mm	17.5	445	15.3	388	12.4	316	9.6	244
	18	Head Length	in mm	50.7	1288	53.0	1345	55.8	1417	58.6	1489
	25	Reach	in mm	26.1	662	23.8	605	21.0	533	18.2	461

Table 2			ESR 5260								
Dimensions	ESR 5260-45		Option 1		Option 2		Option 3		Option 4		
	7a	Load Distance Retracted	in mm	na	na	15.3	388	12.4	316	9.6	244
	18	Head Length	in mm	na	na	53.0	1345	55.8	1417	58.6	1489
	25	Reach	in mm	na	na	23.8	605	21.0	533	18.2	461

ESR 5200 Series

Specifications

		TL Tilting Mast																			
Mast Chart ESR 5220		ESR 5220-30*																			
Dimensions	12	Lift Height	in mm	109	2760	121	3070	137	3490	150	3810	161	4080	176	4480	185	4710	195	4950	207	5250
	13	Free Lift Height*	in mm	3.9	100	3.9	100	3.9	100	3.9	100	3.9	100	3.9	100	3.9	100	3.9	100	3.9	100
	14	Mast Collapsed Ht	in mm	78	1990	85	2150	93	2360	99	2520	104	2650	112	2850	117	2970	122	3090	128	3240
	15	Mast Extended Ht*	in mm	130	3305	143	3620	159	4045	172	4360	182	4630	198	5030	207	5260	217	5500	228	5800
	22	Mast Tilt	Degree	F°/B°	2/4		2/4		1/3		1/3		1/3		1/3		1/3		1/3		1/3

		TT Tilting Mast																			
Mast Chart ESR 5220		ESR 5220-30*																			
Dimensions	12	Lift Height	in mm	166	4210	184	4680	209	5315	228	5790	244	6190	268	6795	281	7140	295	7500	303	7700
	13	Free Lift Height*	in mm	56	1415	62	1570	70	1785	77	1945	82	2075	90	2275	94	2395	99	2515	107	2710
	14	Mast Collapsed Ht	in mm	76	1935	82	2090	91	2305	97	2465	102	2595	110	2795	115	2915	119	3030	127	3235
	15	Mast Extended Ht*	in mm	187	4740	205	5210	230	5850	249	6325	265	6725	288	7320	302	7675	316	8035	324	8235
	22	Mast Tilt	Degree	F°/B°	1/3		1/3		1/3		1/3		1/3		0.5/3		0.5/3		0.5/3		0.5/3

		TT Tilting Carriage																			
Mast Chart ESR 5220		ESR 5220-30*																			
Dimensions	12	Lift Height	in mm	313		7950		331		8415		349		8850		358		9090			
	13	Free Lift Height*	in mm	99		2515		105		2670		111		2815		114		2900			
	14	Mast Collapsed Ht	in mm	126		3190		132		3350		137		3490		141		3570			
	15	Mast Extended Ht*	in mm	336		8525		354		8990		371		9425		381		9665			
	22	Carriage Tilt	Degree	F°/B°	2/4		2/4		2/4		2/4		2/4		2/4		2/4		2/4		2/4

* All -30 models with lift heights ≥ 313" (7950 mm) will have sideshifter.
Free Lift Height will be reduced by 3.9" (100 mm) and Mast Extended Height will increase by 0.59" (15 mm).

		TL Tilting Mast																			
Mast Chart ESR 5220		ESR 5220-35**																			
Dimensions	12	Lift Height	in mm	109	2760	121	3070	137	3490	150	3810	161	4080	176	4480	185	4710	195	4950	207	5250
	13	Free Lift Height**	in mm	3.9	100	3.9	100	3.9	100	3.9	100	3.9	100	3.9	100	3.9	100	3.9	100	3.9	100
	14	Mast Collapsed Ht	in mm	78	1990	85	2150	93	2360	99	2520	104	2650	112	2850	117	2970	122	3090	128	3240
	15	Mast Extended Ht**	in mm	130	3305	143	3620	159	4045	172	4360	182	4630	198	5030	207	5260	217	5500	228	5800
	22	Mast Tilt	Degree	F°/B°	0.5/3		0.5/3		0.5/3		0.5/3		0.5/3		0.5/3		0.5/3		0.5/3		0.5/3

		TT Tilting Mast																			
Mast Chart ESR 5220		ESR 5220-35**																			
Dimensions	12	Lift Height	in mm	166	4210	184	4680	209	5315	228	5790	244	6190	268	6795	281	7140	295	7500	303	7700
	13	Free Lift Height**	in mm	56	1415	62	1570	70	1785	77	1945	82	2075	90	2275	94	2395	99	2515	107	2710
	14	Mast Collapsed Ht	in mm	76	1935	82	2090	91	2305	97	2465	102	2595	110	2795	115	2915	119	3030	127	3235
	15	Mast Extended Ht**	in mm	187	4740	205	5210	230	5850	249	6325	265	6725	288	7320	302	7675	316	8035	324	8235
	22	Mast Tilt	Degree	F°/B°	0.5/3		0.5/3		0.5/3		0.5/3		0.5/3		0.5/3		0.5/3		0.5/3		0.5/3

		TT Tilting Carriage																			
Mast Chart ESR 5220		ESR 5220-35**																			
Dimensions	12	Lift Height	in mm	313		7950		331		8415		349		8850		358		9090			
	13	Free Lift Height**	in mm	99		2515		105		2670		111		2815		114		2900			
	14	Mast Collapsed Ht	in mm	126		3190		132		3350		137		3490		141		3570			
	15	Mast Extended Ht**	in mm	336		8525		354		8990		371		9425		381		9665			
	22	Carriage Tilt	Degree	F°/B°	2/4		2/4		2/4		2/4		2/4		2/4		2/4		2/4		2/4

** All -35 models will have sideshifter.
Free Lift Height will be reduced by 3.9" (100 mm) and Mast Extended Height will increase by 0.59" (15 mm).

ESR 5200 Series

Specifications

		TT 4-Roller Tilting Carriage									
Mast Chart ESR 5260		ESR 5260-30/35									
Dimensions	12	Lift Height	in mm	175	4440	193	4890	210	5340	228	5790
	13	Free Lift Height	in mm	53	1345	59	1495	65	1645	71	1795
	14	Mast Collapsed Ht	in mm	80	2020	85	2170	91	2320	97	2470
	15	Mast Extended Ht	in mm	197	5015	215	5465	233	5915	251	6365

		TT 4-Roller Tilting Carriage									
Mast Chart ESR 5260		ESR 5260-30/35									
Dimensions	12	Lift Height	in mm	240	6090	263	6690	281	7140	295	7500
	13	Free Lift Height	in mm	75	1895	83	2095	88	2245	93	2365
	14	Mast Collapsed Ht	in mm	101	2570	109	2770	115	2920	120	3040
	15	Mast Extended Ht	in mm	262	6665	286	7265	304	7715	318	8075

		TT 4-Roller Tilting Carriage									
Mast Chart ESR 5260		ESR 5260-30/35									
Dimensions	12	Lift Height	in mm	313	7950	331*	8415*	348*	8850*	372*	9450*
	13	Free Lift Height	in mm	99	2515	105	2670	111	2815	119	3015
	14	Mast Collapsed Ht	in mm	126	3190	132	3350	137	3490	145	3690
	15	Mast Extended Ht	in mm	336	8525	354	8990	371	9425	395	10025

*No Option 1 Battery

		TT 4-Roller Tilting Carriage								
Mast Chart ESR 5260		ESR 5260-35								
Dimensions	12	Lift Height	in mm	390*		9900*		403*		10230*
	13	Free Lift Height	in mm	125		3170		129		3280
	14	Mast Collapsed Ht	in mm	151		3840		156		3950
	15	Mast Extended Ht	in mm	412		10475		425		10805

*No Option 1 Battery

		TT Tilting Carriage Super Duty								
Mast Chart ESR 5260		ESR 5260-35								
Dimensions	12	Lift Height	in mm	427*		10835*		450*		11435*
	13	Free Lift Height	in mm	141		3580		149		3780
	14	Mast Collapsed Ht	in mm	167		4250		175		4450
	15	Mast Extended Ht	in mm	451		11460		475		12060

*No Option 1 Battery

ESR 5200 Series

Specifications

			TT 6-Roller Tilting Carriage								
Mast Chart ESR 5260			ESR 5260-45								
Dimensions	12	Lift Height	in mm	163*	4145*	181*	4595*	216*	5495*	252*	6395*
	13	Free Lift Height	in mm	53	1350	59	1500	71	1800	83	2100
	14	Mast Collapsed Ht	in mm	80	2020	85	2170	97	2470	109	2770
	15	Mast Extended Ht	in mm	188	4770	206	5220	241	6120	276	7020

*No Option 1 Battery

			TT 6-Roller Tilting Carriage								
Mast Chart ESR 5260			ESR 5260-45								
Dimensions	12	Lift Height	in mm	270*	6845*	284*	7205*	320*	8120*	360	9155*
	13	Free Lift Height	in mm	89	2250	93	2370	105	2675	119	3020
	14	Mast Collapsed Ht	in mm	115	2920	120	3040	132	3350	145	3690
	15	Mast Extended Ht	in mm	294	7470	308	7830	344	8745	385	9780

*No Option 1 Battery

			TT 6-Roller Tilting Carriage								
Mast Chart ESR 5260			ESR 5260-45								
Dimensions	12	Lift Height	in mm	378*	9605*	391*	9935*	427*	10835*	450*	11435*
	13	Free Lift Height	in mm	125	3170	129	3280	141	3580	149	3780
	14	Mast Collapsed Ht	in mm	151	3840	156	3950	167	4250	175	4450
	15	Mast Extended Ht	in mm	403	10230	416	10560	451	11460	475	12060

*No Option 1 Battery

			TT 6-Roller Tilting Carriage Super Duty								
Mast Chart ESR 5260			ESR 5260-45								
Dimensions	12	Lift Height	in mm	391**	9935**	427**	10835**	450**	11435**		
	13	Free Lift Height	in mm	148	3750	159	4050	167	4250		
	14	Mast Collapsed Ht	in mm	174	4420	186	4720	194	4920		
	15	Mast Extended Ht	in mm	416	10560	451	11460	475	12060		

**No Option 1 or 2 Battery

			TT 6-Roller Tilting Carriage Super Duty								
Mast Chart ESR 5260			ESR 5260-45								
Dimensions	12	Lift Height	in mm	473**	12000**	496**	12600**	512**	13000**		
	13	Free Lift Height	in mm	175	4435	183	4635	188	4770		
	14	Mast Collapsed Ht	in mm	201	5110	209	5310	214	5440		
	15	Mast Extended Ht	in mm	497	12620	521	13220	537	13625		

**No Option 1 or 2 Battery

Standard ● / Optional ○	ESR 5220	ESR 5260
Truck Features		
44.1" (1120 mm) overall width	●	●
50.6" (1285 mm) overall width	●	●
56.1" (1425 mm) overall width	●	⑤
62" (1575 mm) overall width*	●	⑤
3000 lb (1400 kg) lift capacity at 24" (600 mm) load center	●	●
3500 lb (1600 kg) lift capacity at 24" (600 mm) load center	●	●
4500 lb (2000 kg) lift capacity at 24" (600 mm) load center	●	●
Battery Compartment		
Battery rollers for horizontal extraction	○	○
SBE 350 connector blue	●	●
SB 350 connector red	○	○
Controls and Instruments		
Access 1 2 3 [®] comprehensive system control	●	●
LCD display with keypad and navigation keys	●	●
Keyless start-up with PIN code	●	○
Travel/steer direction indicator	●	●
Real-time clock and date	●	●
Battery discharge indicator with lift lockout	●	●
Hour meters for various system functions	●	●
Fingertip hydraulic controls	●	●
Dual lever hydraulic controls	○	○
Multi-task hydraulic controls	○	○
Driving Features		
Optimized Cornering Speed™	●	●
e-GEN [®] braking system	●	●
Load wheel brake system	⑦	●
Automatic braking for slopes and push-back rack	●	●
Electro-mechanical parking brake	●	●
Selectable performance levels (P1, P2, P3)	●	●
360 Select™ steering system	●	●
Lifting Features		
Patented offset mast design	●	●
Tilting duplex mast (TL)	○	○
Tilting triplex mast (TT)	①	○
Integrated sideshift for tilting masts	⑦	○
Triplex mast (TT) with tilting fork carriage and sideshift	②	●
High Level Performance System	②	○
** Tilt Position Assist (TPA)	②	○
** Lift height and load weight indicator	②	○
** Free lift indicator	○	○
** Smart Rack Height Select (RHS)	⑥	⑥
** Capacity Data Monitor (CDM)	⑥	⑥
** Two lift cutouts with override	⑥	⑥
Sideshift Position Assist (SPA)	②	③
Lift speed reduction before maximum height	○	●
Travel speed reduction above selectable lift height	○	○
Travel speed reduction above free lift	○	○
No load on outrigger function + override	④	④
Two raise cutouts with override	○	○
Color camera system (fork or mast mounted)	②	○
Coldstore camera system (fork or mast mounted)	②	○
ISO class 2 fork carriage	●	●
Forktip indicators	●	●

* 62" overall width requires 3.9" (100 mm) sideshifter

** Included in High Level Performance System

Standard ● / Optional ○	ESR 5220	ESR 5260
Lifting Features		
5th hydraulic function	○	○
Load backrest	○	●
Operator Comfort		
MSG 65 seat with adjustable lumbar support	○	●
FlexBack™ seat backrest	○	○
Suspension seat	●	○
Heated vinyl seat	○	○
Headrest	○	○
Controls mounted on armrest	●	●
Armrest moves with seat	○	●
Adjustable steering column with tools	●	○
Adjustable steering column without tools	○	●
Automotive-type accelerator and brake pedals	●	●
High-visibility overhead guard	●	●
Plexiglass or mesh overhead guard cover	○	○
Multiple storage areas for tools	●	●
Low, wide step	●	●
Desktop with clipboard	○	●
Safety Features		
Operator presence pedal	●	●
Seat switch	●	●
Power disconnect switch	●	●
Work lights (halogen or LED)	○	○
Flashing light (strobe or LED)	○	○
Audible travel alarm	○	○
Rearview mirror	○	○
Maintenance Features		
Event code history	●	●
Built-in diagnostic system	●	●
InfoPoint™ maps	●	●
Brushless AC motors	●	●
Swing-out seat deck for easy access	●	●
InfoLink [®] fleet management system	○	○
Work Assist[®] Accessories		
Clipboard	○	○
Scan gun holder	○	○
Adjustable arm for WMS monitor	○	○
12, 24 or 48V power supply	○	○
Reading light	○	○
Trash bin	○	○
Beverage holder	○	○
Storage pocket	○	○
Special Applications		
Drive-in rack overhead guard	○	○
Aisle guide rollers	○	○
Coldstore condition to -22°F (-30°C)	○	○
Coldstore cabin with environmental control	○	○
Load wheel protection	○	○

① Lift heights ≤ 303" (7700 mm)

② Lift heights > 303" (7700 mm)

③ Not available with 5th hydraulic function

④ Stops forks above outriggers if mast is retracted

⑤ Not with Coldstore Cabin

⑥ Only as part of High Level Performance System

⑦ Standard on ESR 5220-35

Driver's Compartment and Controls

A comfortable low, wide step speeds entry. Well-positioned long tubular overhead guard post works as a grab handle.

Non-slip floor mat ensures safe and comfortable footing during entry and exit.

Once seated, the operator has the ability to tailor the compartment to "fit". A high quality comfortable seat can be adjusted for the operator's weight. In addition, the seat can be adjusted laterally, as well as for the angle of the backrest.

These adjustments ensure a comfortable position for any operator. The left foot rests on the operator "presence" pedal. The right foot operates an automotive style accelerator and brake pedal arrangement. The travel direction switch is actuated with the right thumb leaving the fingers of the right hand free to operate all the hydraulic controls. Hydraulic controls allow for easy blending of functions. There are four easily accessible storage compartments. The padded armrest is designed particularly with wrist support in mind.

The display contains information on the truck's operating status, battery discharge indicator, travel direction indicator, steer tire position indicator, hour meters for various truck operations, performance profile selection and service information for planned maintenance scheduling, fault finding and testing. The information display serves as the PIN input to employ the on-board user code system thereby preventing unauthorized use. The LCD display is well illuminated for excellent visibility.

Integrated Control System with Access 1 2 3®

Crown's Integrated Control System provides unmatched truck control for all primary truck systems:

- Traction motor control
- Hydraulic valve and motor control
- Steer motor control
- Braking
- Information/diagnostic display

Dedicated motor controllers are employed to simplify troubleshooting and minimize replacement cost. All systems are linked through CAN-Bus, which greatly simplifies wiring while improving diagnostic communication.

Crown's Access 1 2 3 Diagnostics is the most comprehensive fault detection system in the industry. A trained technician can actively view inputs and outputs during truck operation thereby significantly reducing search and downtime. All operator information such as travel and hydraulic parameters, truck monitors, etc. can be obtained and adjusted via the display. No handset or laptop is required – all functions are on-board and easy to use.

Three programmable performance profiles can be selected on the display. These pre-sets allow you to quickly adjust traction and hydraulic parameters to suit application requirements.

Traction System

Selected travel speed remains constant regardless of surfaces, load weight or grades. The travel speed, acceleration, and electric braking ratio can be programmed via the display, facilitating the best possible productivity and energy consumption for each application.

Operators gain confidence and improve performance with Crown's intelligent Optimized Cornering Speed. During cornering OCS recognizes whether the operator is driving into or out of a curve, with the system analyzing steer tire angle, driving direction and steering direction. It then automatically adjusts speed and acceleration for maximum safe performance.

Hydraulic System

The control system for the hydraulic pump motor and proportional valves facilitates precise and sensitive execution of all hydraulic functions. All hydraulic parameters such as lift, lower, tilt, sideshift, and reach speeds are fully adjustable and can therefore be adapted to different applications.

Three hydraulic functions (lift/lower, tilt, reach) are standard on the ESR 5220-30. A fourth function (sideshift) is standard on the ESR 5220-35, ESR 5260 and optional on the ESR 5220-30. A fifth function can be added to the ESR 5260 for accessory control.

Hydraulic hoses are internally reeved through the mast. The internal gear pump reduces the noise level and ensures high efficiency in all applications. The hydraulic oil is filtered twice. The return and suction filters can be exchanged without draining the hydraulic tank.

Moving Mast and Reach Carriage

Crown's unique offset, wide view mast delivers excellent visibility at height as well as for low-level operations. Mast cross-bracing and overhead guard bracing have been angled, and hose and chain rollers have been canted to further enhance visibility. A load backrest designed for maximum visibility is also standard.

The ESR 5220 features a range of duplex and triplex masts with limited or full free lift. Tilting masts reduce head length and are ideal for tight aisle widths. The tilting mast also compensates for uneven floors and is the choice when loading at medium heights on unlevelled ground.

The ESR 5260 features heavy duty triplex masts with full free lift, integrated sideshift and tilting fork carriage. Mast channels are reinforced to minimize static and dynamic deflection when storing heavy loads at tall lift heights.

Spring dampers are located on the fork carriage to reduce noise while staging. Elastomer dampers between the mast stages and hydraulic dampening in the free lift cylinder reduce noise while lowering.

The anti-friction mast rollers are canted to reduce energy consumption and ensure longer life. The heavy-duty reach carriage moves on four main roller bearings. Two adjustable backing rollers minimize dynamic mast rocking while four adjustable side rollers/slides ensure very smooth movement and precise positioning.

Drive Unit

A highly efficient drive unit with helical gears, integrated pinion and vertically mounted 3-phase (AC) traction motor provides quiet, powerful traction performance. The large Vulkollan™ drive wheel offers high load capacity, long life, and excellent travel comfort.

Steering

Advanced AC steering system featuring 360 Select™ control system that allows the operator to choose between 180° and 360° steer tire rotation to match driving conditions, experience level or personal preference. The system can be locked in either mode with password-protected access. A fail-safe control circuit applies motor braking and parking brake if a fault is detected.

Brakes

A foot pedal applies the service brake. Crown's e-GEN braking system uses the torque of the drive motor to stop and hold the truck. On the ESR 5260 braking force is also distributed to the load wheels.

The truck can also be brought to a stop by reversing the travel direction using the electric regenerative plugging function. On ramps, or when interfacing with push back racking, the selectable Truck-Hold feature electronically brakes the truck when the accelerator is released. The operator does not have to apply the brake, improving comfort and control in these applications.

The parking brake is activated by a switch in the operator compartment. The spring-applied/electric release brake is applied on the drive wheel. The parking brake is automatically activated when the operator exits the truck.

Motors

The Crown manufactured 3-phase (AC) motors deliver high torque and seamless reversal. Traction and hydraulic motors are oversized for superior thermal capability and are especially suitable for high loads and high ambient temperature applications.

Other Options Available

Contact your local Crown dealer.

Dimensions and performance data given may vary due to manufacturing tolerances. Performance is based on an average size vehicle and is affected by weight, condition of truck, how it is equipped and the conditions of the operating area. Crown products and specifications are subject to change without notice.



Crown Equipment Corporation
New Bremen, Ohio 45869 USA
Tel 419-629-2311
Fax 419-629-3796
crown.com

You can count on Crown to build lift trucks designed for safe operation, but that's only part of the safety equation. Crown encourages safe operating practices through ongoing operator training, safety-focused supervision, maintenance and a safe working environment. Go to crown.com and view our safety section to learn more.

Because Crown is continually improving its products, specifications are subject to change without notice.

Crown, the Crown logo, the color beige, the Momentum symbol, Work Assist, Access 1 2 3, InfoLink, InfoLink for Windows and InfoPoint are trademarks of Crown Equipment Corporation. Other trademarks are property of their owners.

Copyright 2017 Crown Equipment Corporation
SF19609 08-17
Printed in U.S.A.