



TECHNICAL SPECIFICATIONS

Pneumatic Forklift Trucks

G15S/G18S/20SC-5

G20E / G25E / G30E-5

G20P / G25P / G30P / G33P-5 & G35C-5

G20P / G25P / G30P / G33P-5 & G35C-5 PLUS
3,000lb to 7,000lb Capacity

PRO5
SERIES



3,000/3,500/4,000/5,000/6,000/6,500/7,000 lb Capacities

Engine Powered Forklift Trucks

MAIN VEHICLE SPECIFICATIONS

Pneumatic Tire, LP

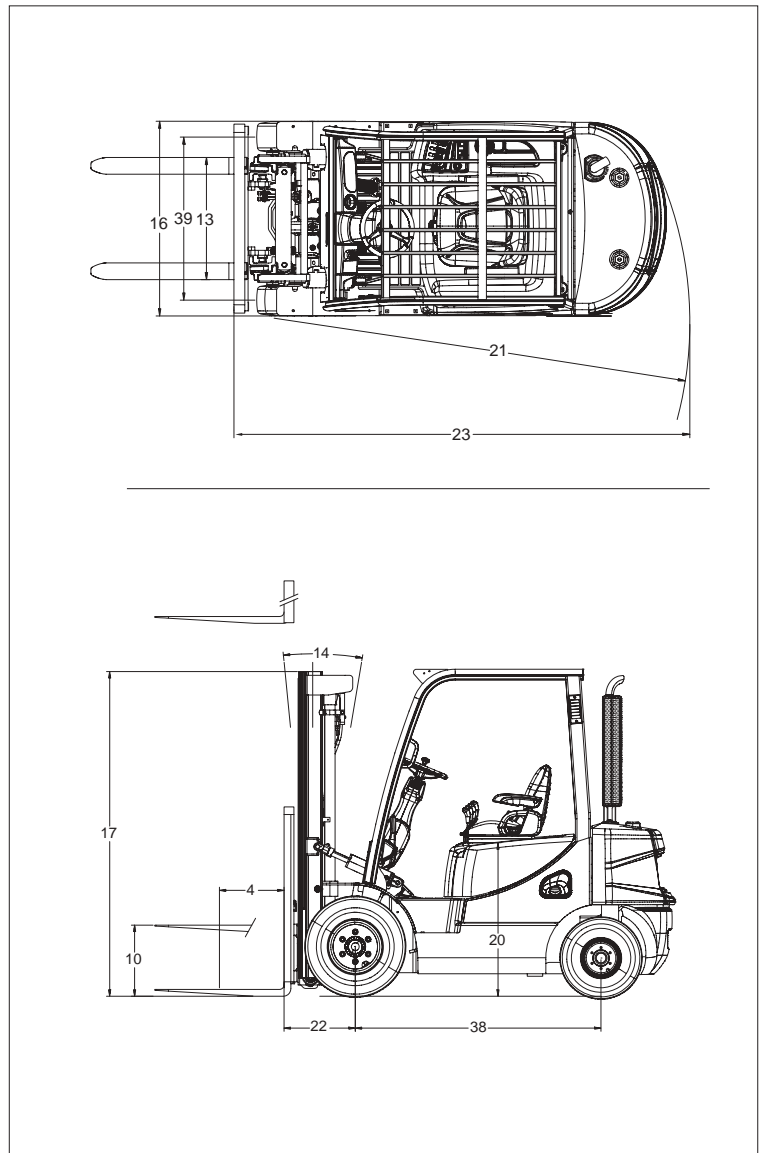
				DOOSAN	DOOSAN	DOOSAN		
CHARACTERISTICS	1	Manufacture		DOOSAN	DOOSAN	DOOSAN		
	2	Model		G15S-5	G18S-5	G20SC-5		
	3	Load Capacity	at rated load center	3,000 (1,500)	3,500 (1,750)	4,000 (2,000)		
	4	Load Center		24 (500)	24 (500)	24 (500)		
	5	Power type	Elec, Diesel, LPG, Gasoline	LP	LP	LP		
	6	Operator type		driver seated	driver seated	driver seated		
	7	Tire type	P:Pnu, E:Solid Soft, C: Cush	P	P	P		
	8	Wheels (x=Driven)	Front / Rear	X 2 / 2	X 2 / 2	X 2 / 2		
DIMENSIONS	9	Max. Fork Height	with STD 2-stage mast	129.9 (3,300)	129.9 (3,300)	129.9 (3,300)		
	10	Free Lift		5.3 (135)	5.3 (135)	5.5 (140)		
	12	Fork Carriage	ISO Class	II	II	II		
	13	Forks	Length x Width x Thickness	in (mm)	35.4x3.9x1.4 (900x100x35)	35.4x3.9x1.4 (900x100x35)	35.4x3.9x1.6 (900x100x40)	
			Fork Spacing(Min x Max)	in (mm)	9.5x35.6 (240x905)	9.5x35.6 (240x905)	9.5x35.6 (240x905)	
	14	Tilt of Mast	Forward / Backward	deg	6 / 8	6 / 8		
	15	Overall Dimensions	Length to Fork Face	in(mm)	85.4 (2,170)	87.2 (2,215)	88.6 (2,250)	
	16		Overall Width	Single	in(mm)	42.1 (1,070)	42.1 (1,070)	42.1 (1,070)
				Dual	in(mm)	-	-	-
	17		Mast Lowered Height	in(mm)	86 (2,185)	86 (2,185)	86 (2,185)	
	18	Mast Extended Height	in(mm)	171.5 (4,355)	171.5 (4,355)	171.7 (4,360)		
	19	Overhead Guard Height	in(mm)	85.4 (2,170)	85.4 (2,170)	85.4 (2,170)		
	20	Seat Height	in(mm)	39.6 (1,005)	39.6 (1,005)	39.6 (1,005)		
	21	Turning Radius	Minimum outside	in(mm)	77.8 (1,977)	79.6 (2,022)	80.7 (2,050)	
	22	Load Moment Center		in(mm)	15.5 (394)	15.5 (394)	15.7 (399)	
	23	Aisle 90 degree stacking(add load length & clearance)		in(mm)	92.9 (2,360)	94.4 (2,398)	95.4 (2,422)	
	PERFORMANCE	24	Travel Speed	Loaded / Unloaded	mph (km/h)	11.2 / 11.8 (18 / 19)	11.2 / 11.8 (18 / 19)	
		25	Lifting Speed	Loaded / Unloaded	fpm (mm/s)	118.1 / 128.0 (600 / 650)	118.1 / 128.0 (600 / 650)	
		26	Lowering Speed	Loaded / Unloaded	fpm (mm/s)	98.4 / 88.6 (500 / 450)	98.4 / 88.6 (500 / 450)	
		28	Max. drawbar pull	Loaded at 1.0 mph (1.6km / h)	lb(kg)	3,174.7(1,440)	3,152.6(1,430)	3,130.6(1,420)
		30	Max. gradeability	Loaded at 1.0 mph (1.6km / h)	%	35.5	31.0	28.5
		32	Total Service Weight, Unloaded		lb(kg)	6,172.9 (2,800)	6,635.9 (3,010)	6,988.6 (3,170)
	WEIGHT	33	Axle Load	Loaded, Front / Rear	lb (kg)	8,322.4 / 1,157.4 (3,775 / 525)	9,127.2 / 1,366.9 (4,140 / 620)	9,946.9 / 1,433 (4,520 / 650)
34				Unloaded, Front / Rear	lb (kg)	2,910.1 / 3,273.9 (1,320 / 1,485)	2,799.9 / 3,836 (1,270 / 1,740)	2,722.2 / 4,265.9 (1,235 / 1,935)
CHASSIS	35	Number of wheels(F / R)		2 / 2	2 / 2	2 / 2		
	36	Tires	Size, Front		6.50x10-12	6.50x10-12	6.50x10-12	
			Size, Rear		5.00x8-10	5.00x8-10	5.00x8-10	
	38	Wheel Base	Distance	in(mm)	55.1 (1,400)	55.1 (1,400)	55.1 (1,400)	
	39	Tread Width	Front / Rear	in (mm)	35.0 / 35.8 (890 / 910)	35.0 / 35.8 (890 / 910)	35.0 / 35.8 (890 / 910)	
			40	Ground Clearance	Loaded at the lowest point	in(mm)	4.7 (120)	4.7 (120)
	41	Loaded at center of wheelbase	in(mm)		5.9 (150)	5.9 (150)	5.9 (150)	
	42	Brakes	Service		Foot / Hyd	Foot / Hyd	Foot / Hyd	
			43	Parking		Hand / Mech	Hand / Mech	Hand / Mech
	POWER TRAIN	45	Battery	Voltage / Ampere	V / AH	12 / 45	12 / 45	
49		Engine	Model		G424I(E)	G424I(E)		
50			Rated Power(DIN)	HP/rpm	45.5 / 2,450	45.5 / 2,450	45.5 / 2,450	
				kW/rpm	33.9 / 2,450	33.9 / 2,450	33.9 / 2,450	
51			Maximum Torque	lb·ft/rpm	109.2 / 1,600	109.2 / 1,600	109.2 / 1,600	
52		Cylinders / Displacement	kg·m/rpm	15.1 / 1,600	15.1 / 1,600	15.1 / 1,600		
55		Transmission	Type		powershift	powershift	powershift	
	57		Number of Speeds (Fwd / Rev)		1 / 1	1 / 1	1 / 1	
57	Hydraulic Pressure	System	psi(bar)	2,552 (176)	2,880 (199)	3,132 (216)		
		Attachment	psi(bar)	2,552 (176)	2,880 (199)	3,132 (216)		

Note: Specification values quoted in this specification sheet has been rounded. Performance may vary due to operation conditions.

Products and specifications are subject to improvement and change without prior notices.

DIMENSIONAL DRAWINGS

DOOSAN	DOOSAN	DOOSAN	DOOSAN
G25P-5 PLUS	G30P-5 PLUS	G33P-5 PLUS	G35C-5 PLUS
5,000 (2,500)	6,000 (3,000)	6,500 (3,250)	7,000 (3,500)
24 (500)	24 (500)	24 (500)	24 (500)
LP	LP	LP	LP
driver seated	driver seated	driver seated	driver seated
P	P	P	P
X 2 / 2	X 2 / 2	X 2 / 2	X 2 / 2
127.2 (3,230)	127.2 (3,230)	127.2 (3,230)	118.1 (3,000)
6 (152)	6 (152)	6 (152)	6 (152)
II	III	III	III
41.3x3.9x1.6	41.3x4.9x1.8	41.3x4.9x1.8	41.3x4.9x1.8
(1,050x100x40)	(1,050x125x45)	(1,050x125x45)	(1,050x125x45)
10.8 / 40.7	11.3 / 41.1	11.3 / 41.1	11.3 / 41.1
(275x1,035)	(286x1,044)	(286x1,044)	(286x1,044)
6 / 10	6 / 10	6 / 10	6 / 10
102.2 (2,595)	106.3 (2,700)	107.5 (2,730)	108.9 (2,765)
46.1 (1,170)	47.1 (1,197)	47.1 (1,197)	47.1 (1,197)
64.0 (1,625)	64.0 (1,625)	64.0 (1,625)	64.0 (1,625)
85.6 (2,175)	85.2 (2,165)	85.2 (2,165)	85.2 (2,165)
176.8 (4,490)	176.8 (4,490)	176.8 (4,490)	167.7 (4,260)
86.0 (2,183)	86.0 (2,183)	86.0 (2,183)	86.0 (2,183)
40.4 (1,026)	40.4 (1,026)	40.4 (1,026)	40.4 (1,026)
87.4 (2,265)	93.1 (2,365)	94.3 (2,395)	95.3 (2,420)
18.9 (480)	19.1 (485)	19.1 (485)	19.5 (495)
106.3 (2,745)	112.2 (2,850)	113.4 (2,880)	114.8 (2,915)
11.8 / 12.4	11.2 / 11.8	11.2 / 11.8	11.5 / 12.1
(19 / 20)	(18 / 19)	(18 / 19)	(18.5 / 19.5)
102.3 / 118.1	100.4 / 118.1	104.3 / 118.1	102.3 / 118.1
(520 / 600)	(510 / 600)	(530 / 600)	(520 / 600)
100.4 / 90.6	100.4 / 90.6	100.4 / 90.6	100.4 / 90.6
(510 / 460)	(510 / 460)	(510 / 460)	(510 / 460)
3,968.3 (1,800)	4,166.7 (1,890)	4,144.7 (1,880)	3,990.4 (1,810)
29.0	26.5	25.0	22.5
8,686.2 (3,940)	9,656.2 (4,380)	10,053.1 (4,560)	10,471.9 (4,750)
12,500.2 / 1,697.6	13,911.2 / 2,314.5	15,189.8 / 2,028.3	16,093.7 / 2,094.4
(5,670 / 770)	(6,540 / 840)	(6,890 / 920)	(7,300 / 950)
3,659.7 / 5,026.6	3,968.3 / 6,128.8	3,880.1 / 6,172.9	3,858.1 / 6,613.9
(1,660 / 2,280)	(1,800 / 2,580)	(1,760 / 2,800)	(1,750 / 3,000)
2 / 2	2 / 2	2 / 2	2 / 2
7.00x15-12	28x9x15-12	28x9x15-12	250x15-18
6.50x10-10	6.50x10-10	6.50x10-12	6.50x10-12
64 (1,625)	66.9 (1,700)	66.9 (1,700)	66.9 (1,700)
38.4 / 39.4	38.7 / 39.4	38.7 / 39.4	40.4 / 39.4
(975 / 1,000)	(982 / 1,000)	(982 / 1,000)	(1,026 / 1,000)
4.5 (115)	4.1 (105)	4.1 (105)	4.1 (105)
5.6 (143)	5.6 (143)	5.6 (143)	5.6 (143)
Foot / Hyd	Foot / Hyd	Foot / Hyd	Foot / Hyd
Hand / Mech	Hand / Mech	Hand / Mech	Hand / Mech
12 / 65	12 / 65	12 / 65	12 / 65
G430FE	G430FE	G430FE	G430FE
66.3 / 2,600	66.3 / 2,600	66.3 / 2,600	66.3 / 2,600
49.5 / 2,600	49.5 / 2,600	49.5 / 2,600	49.5 / 2,600
149.7 / 1,600	149.7 / 1,600	149.7 / 1,600	149.7 / 1,600
20.7 / 1,600	20.7 / 1,600	20.7 / 1,600	20.7 / 1,600
4 / 181 (2,967)	4 / 181 (2,967)	4 / 181 (2,967)	4 / 181 (2,967)
powershift	powershift	powershift	powershift
1 / 1	1 / 1	1 / 1	1 / 1
2,827.5 (195)	3,132 (216)	3,132 (216)	3,132 (216)
2,262 (156)	2,262 (156)	2,262 (156)	2,262 (156)



MAST SPECIFICATIONS and RATED CAPACITIES

G15S-5

Mast type	Maximum Fork Height		Maximum Lowered Height		Fully Extended Height		Free Lift		Rated Load Capacities			
									D/G15S-5			
									Tilt Angle		Load Capacities	
					FWD	BWD	LC 500mm	LC 24in				
	mm	in	mm	in	mm	in	mm	in	deg	deg	kg	lb
STD	3000	118	2035	80	4055	160	135	5	6	8	1500	3000
	3300	130	2185	86	4355	171	135	5	6	8	1500	3000
	3500	138	2285	90	4555	179	135	5	6	8	1500	3000
	3700	146	2385	94	4755	187	135	5	6	8	1500	3000
	4000	157	2585	102	5055	199	135	5	6	8	1500	3000
FF	2700	106	1885	74	3755	148	880	35	6	8	1500	3000
	3000	118	2035	80	4055	160	1030	41	6	8	1500	3000
	3300	130	2185	86	4355	171	1180	46	6	8	1500	3000
FFT	4000	157	1915	75	5055	199	910	36	6	8	1500	3000
	4500	177	2080	82	5555	219	1075	42	6	8	1475	2950
	4750	187	2165	85	5805	229	1160	46	6	8	1425	2850
	5000	197	2280	90	6055	238	1275	50	6	5	1400	2800
	5500	217	2515	99	6555	258	1510	59	6	5	1275	2550
6000	236	2680	106	7055	278	1675	66	6	5	975	1950	

G18S-5

Mast type	Maximum Fork Height		Maximum Lowered Height		Fully Extended Height		Free Lift		Rated Load Capacities			
									D/G18S-5			
									Tilt Angle		Load Capacities	
					FWD	BWD	LC 500mm	LC 24in				
	mm	in	mm	in	mm	in	mm	in	deg	deg	kg	lb
STD	3000	118	2035	80	4055	160	135	5	6	8	1750	3500
	3300	130	2185	86	4355	171	135	5	6	8	1750	3500
	3500	138	2285	90	4555	179	135	5	6	8	1750	3500
	3700	146	2385	94	4755	187	135	5	6	8	1750	3500
	4000	157	2585	102	5055	199	135	5	6	8	1750	3500
FF	2700	106	1885	74	3755	148	880	35	6	8	1750	3500
	3000	118	2035	80	4055	160	1030	41	6	8	1750	3500
	3300	130	2185	86	4355	171	1180	46	6	8	1750	3500
FFT	4000	157	1915	75	5055	199	910	36	6	8	1750	3500
	4500	177	2080	82	5555	219	1075	42	6	8	1750	3500
	4750	187	2165	85	5805	229	1160	46	6	8	1500	3000
	5000	197	2280	90	6055	238	1275	50	6	5	1575	3150
	5500	217	2515	99	6555	258	1510	59	6	5	1200	2400
6000	236	2680	106	7055	278	1675	66	6	5	900	1800	

G20SC-5

Mast type	Maximum Fork Height		Maximum Lowered Height		Fully Extended Height		Free Lift		Rated Load Capacities			
									D/G20SC-5			
									Tilt Angle		Load Capacities	
					FWD	BWD	LC 500mm	LC 24in				
	mm	in	mm	in	mm	in	mm	in	deg	deg	kg	lb
STD	3000	118	2035	80	4060	160	140	6	6	8	2000	4000
	3300	130	2185	86	4360	172	140	6	6	8	2000	4000
	3500	138	2285	90	4560	180	140	6	6	8	2000	4000
	3700	146	2385	94	4760	187	140	6	6	8	2000	4000
	4000	157	2585	102	5060	199	140	6	6	8	2000	4000
FF	2700	106	1885	74	3760	148	880	35	6	8	2000	4000
	3000	118	2035	80	4060	160	1030	41	6	8	2000	4000
	3300	130	2185	86	4360	172	1180	46	6	8	2000	4000
FFT	4000	157	1915	75	5060	199	910	36	6	8	2000	4000
	4500	177	2080	82	5560	219	1075	42	6	8	1700	3400
	4750	187	2165	85	5810	229	1160	46	6	5	1750	3500
	5000	197	2280	90	6060	239	1275	50	6	5	1525	3050
	5500	217	2515	99	6560	258	1510	59	6	5	1150	2300
6000	236	2680	106	7060	278	1675	66	6	5	850	1700	



G 33S(P)-5 (PLUS)

Mast type	Maximum Fork Height		Maximum Lowered Height		Fully Extended Height		Free Lift		Rated Load Capacities														
									D/G 33S(P)-5														
									Tilt Angle						Load Capacities								
									Single Pneu.		Double Pneu		Single Solid		Single Pneu.		Double Pneu		Single Solid				
												LC 500mm		LC 24in		LC 500mm		LC 24in					
								deg		deg		deg		deg		kg		lb		kg		lb	
STD	2030	80	1565	62	3290	130	152	6	6	10	6	10	6	10	3250	6500	3250	6500	3250	6500			
	2580	102	1840	72	3840	151	152	6	6	10	6	10	6	10	3250	6500	3250	6500	3250	6500			
	2950	116	2025	80	4210	166	152	6	6	10	6	10	6	10	3250	6500	3250	6500	3250	6500			
	3230	127	2165	85	4490	177	152	6	6	10	6	10	6	10	3250	6500	3250	6500	3250	6500			
	3500	138	2415	95	4765	188	152	6	6	10	6	10	6	10	3250	6500	3250	6500	3250	6500			
	3800	150	2565	101	5065	199	152	6	6	10	6	10	6	10	3250	6500	3250	6500	3250	6500			
	3950	156	2640	104	5215	205	152	6	6	10	6	10	6	10	3175	6500	3250	6500	3250	6500			
	4350	171	2840	112	5615	221	152	6	6	5	6	10	6	10	3175	6500	3250	6500	3250	6500			
	4960	195	3140	124	6215	245	152	6	6	3	6	10	6	8	2450	5400	3125	6350	3200	6500			
FF	2580	102	1840	72	3840	151	640	25	6	10	6	10	6	10	3250	6500	3250	6500	3250	6500			
	2950	116	2025	80	4210	166	825	32	6	10	6	10	6	10	3250	6500	3250	6500	3250	6500			
	3230	127	2165	85	4490	177	965	38	6	10	6	10	6	10	3250	6500	3250	6500	3250	6500			
	3600	142	2415	95	4865	192	1215	48	6	10	6	10	6	10	3250	6500	3250	6500	3250	6500			
FFT	3900	154	1890	74	5165	203	690	27	6	8	6	8	6	8	3250	6500	3250	6500	3250	6500			
	4290	169	2025	80	5570	219	825	32	6	5	6	8	6	8	3250	6500	3250	6500	3250	6500			
	4730	186	2165	85	5990	236	965	38	6	3	6	8	6	8	2900	6300	3175	6450	3250	6500			
	5560	219	2515	99	6815	268	1315	52	6	3	6	8	6	5	1750	3950	2975	6050	3050	6200			
	6010	237	2665	105	7265	286	1465	58	6	3	6	5	6	3	1350	3050	2875	5850	2950	6050			

G 35C-5 (PLUS)

Mast type	Maximum Fork Height		Maximum Lowered Height		Fully Extended Height		Free Lift		Rated Load Capacities														
									D/G 35C-5														
									Tilt Angle						Load Capacities								
									Single Pneu.		Double Pneu		Single Solid		Single Pneu.		Double Pneu		Single Solid				
												LC 500mm		LC 24in		LC 500mm		LC 24in					
								deg		deg		deg		deg		kg		lb		kg		lb	
STD	1800	71	1565	62	3060	120	152	6	6	10	6	10	6	10	3500	7000	3500	7000	3500	7000			
	2350	93	1840	72	3610	142	152	6	6	10	6	10	6	10	3500	7000	3500	7000	3500	7000			
	2720	107	2025	80	3980	157	152	6	6	10	6	10	6	10	3500	7000	3500	7000	3500	7000			
	3000	118	2165	85	4260	168	152	6	6	10	6	10	6	10	3500	7000	3500	7000	3500	7000			
	3495	138	2415	95	4760	187	152	6	6	10	6	10	6	10	3500	7000	3500	7000	3500	7000			
	3655	144	2565	101	4915	194	152	6	6	10	6	10	6	10	3500	7000	3500	7000	3500	7000			
	3805	150	2640	104	5065	199	152	6	6	10	6	10	6	10	3500	7000	3500	7000	3500	7000			
	4205	166	2840	112	5465	215	152	6	6	8	6	10	6	10	3425	6950	3425	6950	3500	7000			
	4805	189	3140	124	6065	239	152	6	6	3	6	8	6	8	3250	6650	3275	6650	3375	6850			
FF	2350	93	1840	72	3610	142	640	25	6	10	6	10	6	10	3500	7000	3500	7000	3500	7000			
	2720	107	2025	80	3980	157	825	32	6	10	6	10	6	10	3500	7000	3500	7000	3500	7000			
	3000	118	2165	85	4260	168	965	38	6	10	6	10	6	10	3500	7000	3500	7000	3500	7000			
	3495	138	2415	95	4755	187	1215	48	6	10	6	10	6	10	3500	7000	3500	7000	3500	7000			
FFT	3555	140	1890	74	4815	190	690	27	6	8	6	8	6	8	3400	7000	3400	7000	3400	7000			
	3960	156	2025	80	5220	206	825	32	6	8	6	8	6	8	3400	7000	3400	7000	3400	7000			
	4380	172	2165	85	5640	222	965	38	6	5	6	8	6	8	3375	6850	3375	6850	3400	7000			
	4820	190	2335	92	6085	240	1135	45	6	3	6	8	6	8	3250	6600	3250	6650	3350	6800			
	5205	205	2515	99	6465	255	1315	52	6	3	6	8	6	5	2600	5800	3150	6450	3250	6600			
5655	223	2665	105	6915	272	1465	58	6	3	6	5	6	3	1975	4450	3050	6200	3150	6400				



PRO5 SERIES



G15S / G18S-5 & G20SC-5
3,000lb(1,500kg)
3,500lb(1,750kg) 4,000lb(2,000kg)
LP Pneumatic Tire



G20E / G25E / G30E-5
G20P / G25P / G30P / G33P-5 & G35C-5
G20P / G25P / G30P / G33P-5 & G35C-5 PLUS
4,000lb(2,000kg) 5,000lb(2,500kg)
6,000lb(3,000kg) 6,500lb(3,250kg)
7,000lb(3,500kg)
LP Pneumatic Tire

PSCG25S5v2



Doosan Industrial Vehicle America Corp.
2475 Mill Center Parkway Suite 400
Buford, GA 30518
Tel: 678-745-2200 Fax: 678-745-2250
www.doosanlift.com

AUTHORIZED DEALER

Product and specifications are subject to improvement and change without notice.