



www.doosanlift.com

7 Series Forklifts

Pneumatic Diesel 13,500lb to 20,000lb Series

Tier-4 Final



Lifting Your Dreams

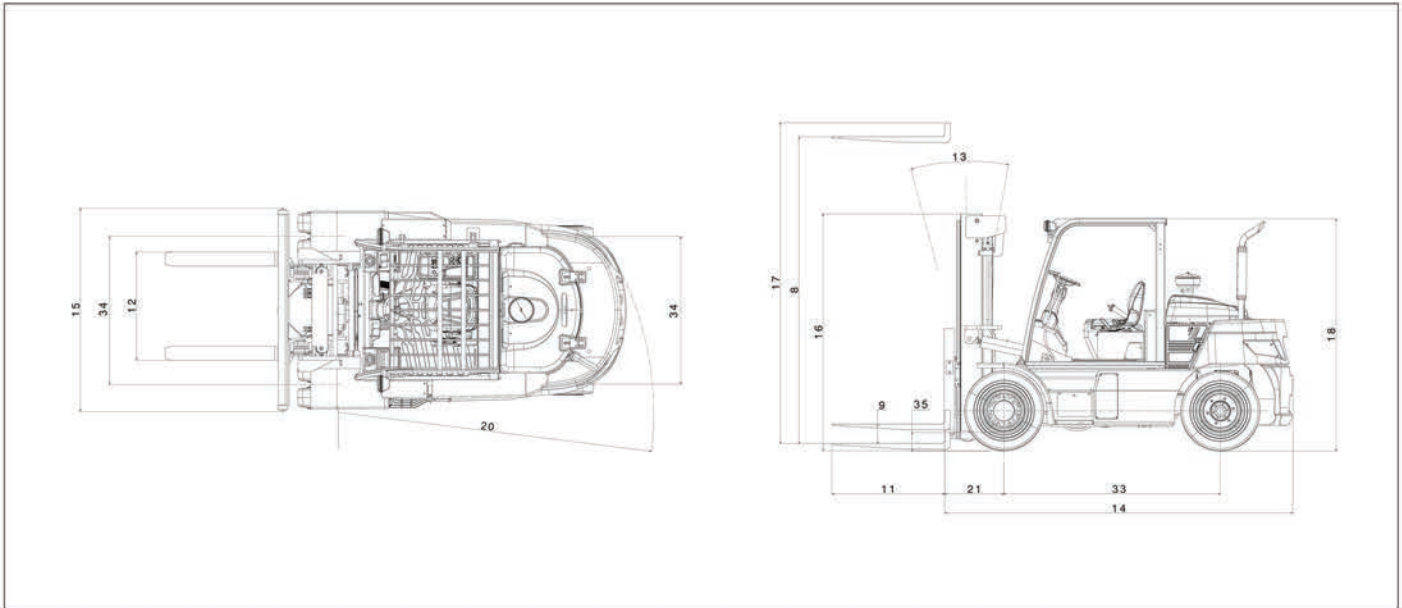
13,500/15,500/17,500/20,000lb Capacity

Engine Powered Forklift Trucks Pneumatic Tire, Diesel

CHARACTERISTICS							
1	Model			D60S-7	D70S-7	D80S-7	D90S-7
2	Capacity	at rated load center	lb	13500	15500	17500	20000
3	Load center	Distance	in	24	24	24	24
4	Power type	Electric,Diesel,Gasoline,LP-Gas		Diesel	Diesel	Diesel	Diesel
5	Operator type	Stand-on, Rider-seated		Rider-seated	Rider-seated	Rider-seated	Rider-seated
6	Tire type	c=cushion, p=pneumatic		p	p	p	p
7	Wheels	Number, front/rear		4/2	4/2	4/2	4/2
DIMENSIONS							
8	Maximum fork height	with STD 2-stage mast	in	118.1	118.1	122	122
9	Free lift		in	8.1	8.1	8.5	8.5
10	Fork carriage	ISO class		5	5	5	5
11	Forks	Thickness x Width x Length	in	2.4x7.1x47.2	2.4x7.1x47.2	2.8x7.1x47.2	2.8x7.1x47.2
12		Fork spacing(min X Max)	in	16.1x80.0	16.1x80.0	16.1x82.3	16.1x82.3
13	Tilt of mast	Forward / Backward	deg	15/10	15/10	15/10	15/10
14	Overall Dimensions	Length to forkface	in	142.4	145.6	158	159
15		Width	in	83	83	87.8	87.8
16		Mast lowered height	in	98.4	98.4	111.6	111.6
17		Mast extended height	in	170.1	170.1	172.2	172.2
18		Overhead guard height(Cabin)	in	97.2(99.8)	97.2(99.8)	105.2(109.0)	105.2(109.0)
19		Seat height	in	57.2	57.2	60.1	60.1
20	Minimum outside Turning Radius		in	133.1	135	143.7	144.9
21	Load moment constant		in	24.9	24.9	28.5	28.5
PERFORMANCE							
22	Speed	Ttravel, loaded/unloaded	mph	18.6/20.9	18.1/20.7	19.2/22.7	18.8/22.6
23		Lift, loaded/unloaded	fpm	94.5/106.3	84.6/92.5	82.7/92.5	80.7/92.5
24		Lowering, loaded/unloaded	fpm	98.4/88.6	98.4/88.6	98.4/88.6	98.4/88.6
25	Drawbar pull	at 1.6 km/h, loaded	lb	13660	13565	12,716	12,685
26	Gradeability	at 1.6 km/h, loaded	%	45	39	31	28
WEIGHT							
27	Total weight	Unloaded	lb	20046	21567	25629	27062
28	Axle load	with loaded, front/rear	lb	29577/3697	32597/4402	38217/5049	41414/5490
29		without loaded, front/rear	lb	9217/10829	8887/12681	11233/14396	11056/16005
CHASSIS							
30	Tires	Number of front/rear		4/2	4/2	4/2	4/2
31		Size, front		8.25x15-14PR	8.25x15-14PR	9.00x20-14PR	9.00x20-14PR
32		Size, rear		8.25x15-14PR	8.25x15-14PR	9.00x20-14PR	9.00x20-14PR
33	Wheel base		in	90.6	90.6	98.4	98.4
34	Tread	Front/Rear	in	62.3/61.0	62.3/61.0	65.7/68.9	65.7/68.9
35	Ground clearance	loaded, at the lowest point	in	7.7	7.7	10.2	10.2
36		loaded, at center of wheelbase	in	8.8	8.8	13	13
37	Brakes	Service brake		Disc	Disc	Disc	Disc
38		Parking brake		Rachet	Rachet	Rachet	Rachet
DRIVE							
39	Battery	Voltage/Capacity	V/AH	24/75	24/75	24/75	24/75
40	Engine	Manufacturer/Model		D1/D34	D1/D34	D1/D34	D1/D34
41		Rated output (at rpm)	HP/rpm	108.5/2300	108.5/2300	108.5/2300	108.5/2300
42			kW/rpm	80.9/2300	80.9/2300	80.9/2300	80.9/2300
42		Max. Torque	lb-ft/rpm	276.6/1600	276.6/1600	276.6/1600	276.6/1600
43			Nm/rpm	375/1600	375/1600	375/1600	375/1600
43		Cycle/Cylinders/Displacement	cc	4/4/3409	4/4/3409	4/4/3409	4/4/3409
44	Transmission	Type		Full Auto	Full Auto	Full Auto	Full Auto
45		No. speeds forward/reverse		3/3	3/3	3/3	3/3
46	Operating pressure	System/Attachment	psi	2755/2030	3045/2030	3190/2030	3408/2030

Note: Specification values quoted in this specification sheet has been rounded. Performance may vary due to operation conditions.
Products and specifications are subject to improvement and change without prior notices.

DIMENSIONAL DRAWING



MAST SPECIFICATIONS and RATED CAPACITIES

D6oS-7(Shaft)

Mast type	Maximum Fork Height		Maximum Lowered Height		Fully Extended Height		Free Lift		Rated Load Capacities			
					With Load Backrest		With Load Backrest		D6oS-7(Shaft)			
									Tilt Angle		Load Capacities	
					Double Pneumatic		Double Pneumatic					
	mm	in	mm	in	mm	in	mm	in	deg	deg	LC 600mm	LC 24in
STD	3000	118	2495	98	4275	168	205	8	15	10	6000	13200
	3500	138	2745	108	4775	188	205	8	15	10	6000	13200
	3700	146	2845	112	4975	196	205	8	15	10	6000	13200
	4000	157	2995	118	5275	208	205	8	15	10	6000	13200
	4500	177	3345	132	5775	227	205	8	15	10	6000	13200
	5000	197	3595	142	6275	247	205	8	15	10	6000	13200
	5500	217	3845	151	6775	267	205	8	15	10	5875	12900
6000	236	4095	161	7275	286	205	8	15	10	5675	12450	
FFT	4550	179	2540	100	5570	219	1580	62	15	10	5900	12950
	5000	197	2690	106	6020	237	1730	68	15	10	5725	12550
	5600	220	2890	114	6620	261	1930	76	15	10	5500	12100
	6050	238	3040	120	7070	278	2080	82	15	10	5300	11650

D7oS-7(Shaft)

Mast type	Maximum Fork Height		Maximum Lowered Height		Fully Extended Height		Free Lift		Rated Load Capacities			
					With Load Backrest		With Load Backrest		D7oS-7(Shaft)			
									Tilt Angle		Load Capacities	
					Double Pneumatic		Double Pneumatic					
	mm	in	mm	in	mm	in	mm	in	deg	deg	LC 600mm	LC 24in
STD	3000	118	2495	98	4275	168	205	8	15	10	7000	15400
	3500	138	2745	108	4775	188	205	8	15	10	7000	15400
	3700	146	2845	112	4975	196	205	8	15	10	7000	15400
	4000	157	2995	118	5275	208	205	8	15	10	7000	15400
	4500	177	3345	132	5775	227	205	8	15	10	7000	15400
	5000	197	3595	142	6275	247	205	8	15	10	7000	15400
	5500	217	3845	151	6775	267	205	8	15	10	7000	15400
	6000	236	4095	161	7275	286	205	8	15	10	6900	15100
	3000	118	2495	98	4275	168	205	8	15	10	7000	15400
	3500	138	2745	108	4775	188	205	8	15	10	7000	15400
	3700	146	2845	112	4975	196	205	8	15	10	7000	15400
	4000	157	2995	118	5275	208	205	8	15	10	7000	15400
	4500	177	3345	132	5775	227	205	8	15	10	7000	15400
	5000	197	3595	142	6275	247	205	8	15	10	7000	15400
	5500	217	3845	151	6775	267	205	8	15	10	7000	15400
	6000	236	4095	161	7275	286	205	8	15	10	6900	15150
	FFT	4550	179	2540	100	5570	219	1580	62	15	10	7000
5000		197	2690	106	6020	237	1730	68	15	10	7000	15400
5600		220	2890	114	6620	261	1930	76	15	10	6725	14750
6050		238	3040	120	7070	278	2080	82	15	10	6500	14300

D8oS-7(Shaft)

Mast type	Maximum Fork Height		Maximum Lowered Height		Fully Extended Height		Free Lift		Rated Load Capacities			
					With Load Backrest		With Load Backrest		D8oS-7(Shaft)			
					Tilt Angle		Load Capacities		Double Pneumatic		Double Pneumatic	
					FWD	BWD	LC 600mm	LC 24in				
STD	mm	in	mm	in	mm	in	mm	in	deg	deg	kg	lb
	3100	122	2835	112	4375	172	215	8	15	10	8000	17500
	3300	130	2935	116	4575	180	215	8	15	10	8000	17500
	3600	142	3085	121	4875	192	215	8	15	10	8000	17500
	4100	161	3435	135	5375	212	215	8	15	10	8000	17500
	4600	181	3685	145	5875	231	215	8	15	10	8000	17500
	5100	201	3935	155	6375	251	215	8	15	10	8000	17500
	5600	220	4185	165	6875	271	215	8	15	10	8000	17500
FFT	4350	171	2630	104	5625	221	1420	56	15	10	8000	17500
	4800	189	2780	109	6075	239	1570	62	15	10	8000	17500
	5400	213	2980	117	6675	263	1770	70	15	10	8000	17500
	5850	230	3130	123	7125	281	1920	76	15	10	7900	17300

D9oS-7(Shaft)

Mast type	Maximum Fork Height		Maximum Lowered Height		Fully Extended Height		Free Lift		Rated Load Capacities			
					With Load Backrest		With Load Backrest		D9oS-7(Shaft)			
					Tilt Angle		Load Capacities		Double Pneumatic		Double Pneumatic	
					FWD	BWD	LC 600mm	LC 24in				
STD	mm	in	mm	in	mm	in	mm	in	deg	deg	kg	lb
	3100	122	2835	112	4375	172	215	8	15	10	9000	20000
	3300	130	2935	116	4575	180	215	8	15	10	9000	20000
	3600	142	3085	121	4875	192	215	8	15	10	9000	20000
	4100	161	3435	135	5375	212	215	8	15	10	9000	20000
	4600	181	3685	145	5875	231	215	8	15	10	9000	20000
	5100	201	3935	155	6375	251	215	8	15	10	9000	20000
	5600	220	4185	165	6875	271	215	8	15	10	9000	20000
FFT	4350	171	2630	104	5625	221	1420	56	15	10	9000	20000
	4800	189	2780	109	6075	239	1570	62	15	10	9000	20000
	5400	213	2980	117	6675	263	1770	70	15	10	9000	20000
	5850	230	3130	123	7125	281	1920	76	15	10	8850	19400