



www.doosanlift.com

7 Series Forklifts

Pneumatic Diesel 22,000 to 36,000 lb Series

EPA Tier-4



Lifting Your Dreams

22,000/26,000/31,000/36,000lb Capacity

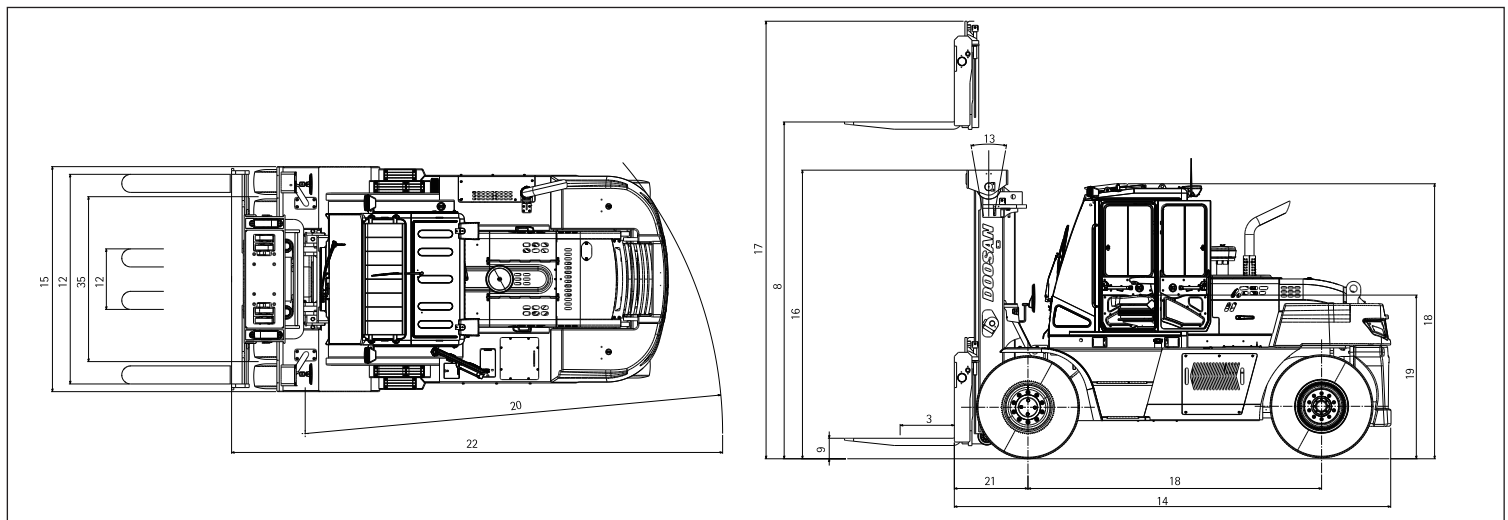
Engine Powered Forklift Trucks Pneumatic Tire, Diesel

SPECIFICATION

CHARACTERISTICS							
1	Model			D100S-7	D120S-7	D140S-7	D160S-7
2	Capacity	at rated load center	lb	22,000	26,000	31,000	36,000
3	Load center	Distance	in	24	24	24	24
4	Power type	Electric,Diesel,Gasoline,LP-Gas		Diesel	Diesel	Diesel	Diesel
5	Operator type	Stand-on, Rider-seated		Rider-seated	Rider-seated	Rider-seated	Rider-seated
6	Tire type	c=cushion, p=pneumatic		p	p	p	p
7	Wheels(x=driven)	Number, front/rear		x4/2	x4/2	x4/2	x4/2
DIMENSIONS							
8	Maximum fork height	with STD 2-stage mast	in	118.1	118.1	118.1	118.1
9	Free lift		in	0	0	0	0
10	Fork carriage	ISO class		5	5	5	5
11	Forks	Thickness x Width x Length	in	"2.7 x 7.87 x 53.1 (70 x 200 x 1350)"	"3.3 x 7.87 x 53.1 (85 x 200 x 1350)"	"3.3 x 7.87 x 53.1 (85 x 200 x 1350)"	"3.3 x 7.87 x 53.1 (85 x 200 x 1350)"
12		Fork spacing(min X Max)	in	"18.5 x 84.2 (470 x 2140)"	"18.5 x 84.2 (470 x 2140)"	"18.5 x 90.2 (470 x 2290)"	"18.5 x 90.2 (470 x 2290)"
13	Tilt of mast	Forward / Backward	deg	15/12	15/12	15/12	15/12
14	Overall Dimensions	Length to forkface	in	176.8	177.4	190.2	190.2
15		Width	in	92.5	92.5	98.0	98.0
16		Mast lowered height	in	117.0	117.0	124.8	124.8
17		Mast extended height	in	176.0	176.0	183.9	183.9
18		Overhead guard height(Cabin)	in	113.8(117.7)	113.8(117.7)	116.1(120.1)	116.1(120.1)
19		Seat height	in	71.9	71.9	74.2	74.2
20	Minimum outside Turning Radius		in	168.9	168.9	181.9	181.9
21	Load moment constant		in	29.7	30.3	32	32
22	90°stacking aisle	add load length and clearance	in	198.6	199.2	214	214
PERFORMANCE							
23	Speed	Ttravel, loaded/unloaded	mph	21.1/23.0	20.5/22.4	16.2/18.6	15.5/18.0
24		Lift, loaded/unloaded	fpm	80.7/92.5	78.7/92.5	72.8/84.6	70.9/84.6
25		Lowering, loaded/unloaded	fpm	84.6/80.7	84.6/80.7	84.6/80.7	84.6/80.7
26	Drawbar pull	at 1.6 km/h, loaded	lb	20,790	20,613	23,347	23,193
27	Gradeability	at 1.6 km/h, loaded	%	42.0	36.0	36.0	32.0
WEIGHT				Full Cabin			
28	Total weight	Unloaded	lb	33,490	35,690	39,675	41,880
29	Axle load	with loaded, front/rear	lb	48,480/7,010	54,450/7,240	63,415/7,255	70,665/7,210
30		without loaded, front/rear	lb	16,470/17,020	16,490/19,200	19,050/20,625	19,105/22,775
CHASSIS							
31		Number of front/rear		4/2	4/2	4/2	4/2
32	Tires	Size, front		10.00X20-16PR	10.00X20-16PR	12.00X20-18PR	12.00X20-18PR
33		Size, rear		10.00X20-16PR	10.00X20-16PR	12.00X20-18PR	12.00X20-18PR
34	Wheel base		in	118.1	118.1	128.0	128.0
35	Tread	Front/Rear	in	1724/1860	1724/1860	1825/1910	1825/1910
36	Ground clearance	loaded, at the lowest point	in	270	270	270	270
37		loaded, at center of wheelbase	in	360	360	370	370
38	Brakes	Service brake		Disc	Disc	Disc	Disc
39		Parking brake		Rachet	Rachet	Rachet	Rachet
DRIVE							
40	Battery	Voltage/Capacity	V/AH	24/100	24/100	24/100	24/100
41		Manufacturer/Model		DI/DL06P	DI/DL06P	DI/DL06P	DI/DL06P
42	Engine	Rated output (at rpm)	HP/rpm	172.6/2,100	172.6/2,100	172.6/2,100	172.6/2,100
			kW/rpm	128.7/2,100	128.7/2,100	128.7/2,100	128.7/2,100
43		Max. Torque	lb-ft/rpm	535/1,400	535/1,400	535/1,400	535/1,400
			Nm/rpm	725.7/1400	725.7/1400	725.7/1400	725.7/1400
44		Cycle/Cylinders/Displacement	cc	4/6/5890	4/6/5890	4/6/5890	4/6/5890
45	Transmission	Type		Full Auto	Full Auto	Full Auto	Full Auto
46		No. speeds forward/reverse		3/3	3/3	3/3	3/3
47	Operating pressure	System/Attachment	psi	2,755/2,320	3,045/2,320	3,045/2,320	3,265/2,320

Note : Specification values quoted in this specification sheet has been rounded. Performance may vary due to operation conditions.
Products and specifications are subject to improvement and change without prior notices.

DIMENSIONAL DRAWING



MAST SPECIFICATIONS and RATED CAPACITIES

D100S-7

Mast type	Maxmum Fork Height		Fully Lowered Height		Fully Extended Height		Free Lift		Rated Load Capacities			
					With Load Backrest		With Load Backrest		D100S-7			
									Tilt Angle		Load Capacities	
					Double Pneumatic		Double Pneumatic					
	mm	in	mm	in	mm	in	mm	in	deg	deg	kg	lb
STD	3000	118	2965	117	4465	176	0	0	15	12	10000	22000
	3500	138	3215	127	4965	195	0	0	15	12	10000	22000
	4000	157	3465	136	5465	215	0	0	15	12	10000	22000
	4500	177	3715	146	5965	235	0	0	15	12	10000	22000
	5000	197	4165	164	6665	262	0	0	15	12	10000	22000
	5500	217	4415	174	7165	282	0	0	15	12	10000	22000
FFT	4000	118	2815	111	5500	217	1385	55	15	10	10000	22000
	4500	138	2980	117	6000	236	1550	61	15	10	10000	22000
	5000	157	3145	124	6500	256	1720	68	15	10	10000	22000
	5500	217	3315	131	7000	276	1885	74	15	10	10000	22000
	6000	236	3480	137	7500	295	2050	81	15	10	10000	22000

D120S-7

Mast type	Maxmum Fork Height		Fully Lowered Height		Fully Extended Height		Free Lift		Rated Load Capacities			
					With Load Backrest		With Load Backrest		D120S-7			
									Tilt Angle		Load Capacities	
					Double Pneumatic		Double Pneumatic					
	mm	in	mm	in	mm	in	mm	in	deg	deg	kg	lb
STD	3000	118	2965	117	4465	176	0	0	15	12	12000	26450
	3500	138	3215	127	4965	195	0	0	15	12	12000	26450
	4000	157	3465	136	5465	215	0	0	15	12	12000	26450
	4500	177	3715	146	5965	235	0	0	15	12	12000	26450
	5000	197	4165	164	6665	262	0	0	15	12	12000	26450
	5500	217	4415	174	7165	282	0	0	15	12	12000	26450
FFT	4000	118	2815	111	5495	216	1400	55	15	10	12000	26450
	4500	138	2980	117	5995	236	1565	62	15	10	12000	26450
	5000	157	3145	124	6495	256	1735	68	15	10	12000	26450
	5500	217	3315	131	6995	275	1900	75	15	10	11800	25850
	6000	236	3480	137	7495	295	2065	81	15	10	11425	25850

Note : Mast Specifications & Rated Capacities are based on standard chassis with dual pneumatic tire and without side shifter.

D140S-7

Mast type	Maxmum Fork Height		Fully Lowered Height		Fully Extended Height		Free Lift		Rated Load Capacities			
					With Load Backrest		With Load Backrest		D140S-7			
					Double Pneumatic		Double Pneumatic		Tilt Angle		Load Capacities	
					FWD	BWD	LC600mm	LC24in	deg	deg	kg	lb
STD	2900	114	2950	116	4400	173	0	0	15	12	14000	30850
	3000	118	3170	125	4670	184	0	0	15	12	14000	30850
	3500	138	3420	135	5170	204	0	0	15	12	14000	30850
	4000	157	3670	144	5670	223	0	0	15	12	14000	30850
	4500	177	3920	154	6170	243	0	0	15	12	14000	30850
	5000	197	4370	172	6870	270	0	0	15	12	14000	30850
	5500	217	4620	182	7370	290	0	0	15	12	14000	30850
6000	236	4870	192	7870	310	0	0	15	12	13925	30500	
FFT	3700	146	2930	115	5330	210	1380	54	15	8	14000	30850
	4000	157	3030	119	5630	222	1480	58	15	8	14000	30850
	4500	177	3195	126	6130	241	1645	65	15	8	13950	30550
	5000	197	3360	132	6630	261	1815	71	15	8	13525	29650
	5500	217	3530	139	7130	281	1980	78	15	8	13100	28700
	6000	236	3695	145	7630	300	2145	84	15	8	12675	27800

D160S-7

Mast type	Maxmum Fork Height		Fully Lowered Height		Fully Extended Height		Free Lift		Rated Load Capacities			
					With Load Backrest		With Load Backrest		D160S-7			
					Double Pneumatic		Double Pneumatic		Tilt Angle		Load Capacities	
					FWD	BWD	LC600mm	LC24in	deg	deg	kg	lb
STD	2900	114	2950	116	4400	173	0	0	15	12	16000	36000
	3000	118	3170	125	4670	184	0	0	15	12	16000	36000
	3500	138	3420	135	5170	204	0	0	15	12	16000	36000
	4000	157	3670	144	5670	223	0	0	15	12	16000	36000
	4500	177	3920	154	6170	243	0	0	15	12	16000	36000
	5000	197	4370	172	6870	270	0	0	15	12	16000	36000
	5500	217	4620	182	7370	290	0	0	15	12	15950	34900
6000	236	4870	192	7870	310	0	0	15	12	15475	33950	
FFT	3700	146	2930	115	5330	210	1380	54	15	8	16000	35750
	4000	157	3030	119	5630	222	1480	58	15	8	16000	35100
	4500	177	3195	126	6130	241	1645	65	15	8	15525	34050
	5000	197	3360	132	6630	261	1815	71	15	8	15075	33000
	5500	217	3530	139	7130	281	1980	78	15	8	14600	31950
	6000	236	3695	145	7630	300	2145	84	15	8	14150	30950

Note : Mast Specifications & Rated Capacities are based on standard chassis with dual pneumatic tire and without side shifter.

PSCT4D100V2



Doosan Industrial Vehicle America Corp.
 2475 Mill Center Parkway Suite 400
 Buford, GA 30518
 Tel: 678-745-2200 Fax: 678-745-2250
 www.doosanlift.com

AUTHORIZED DEALER

Product and specifications are subject to improvement and change without notice.